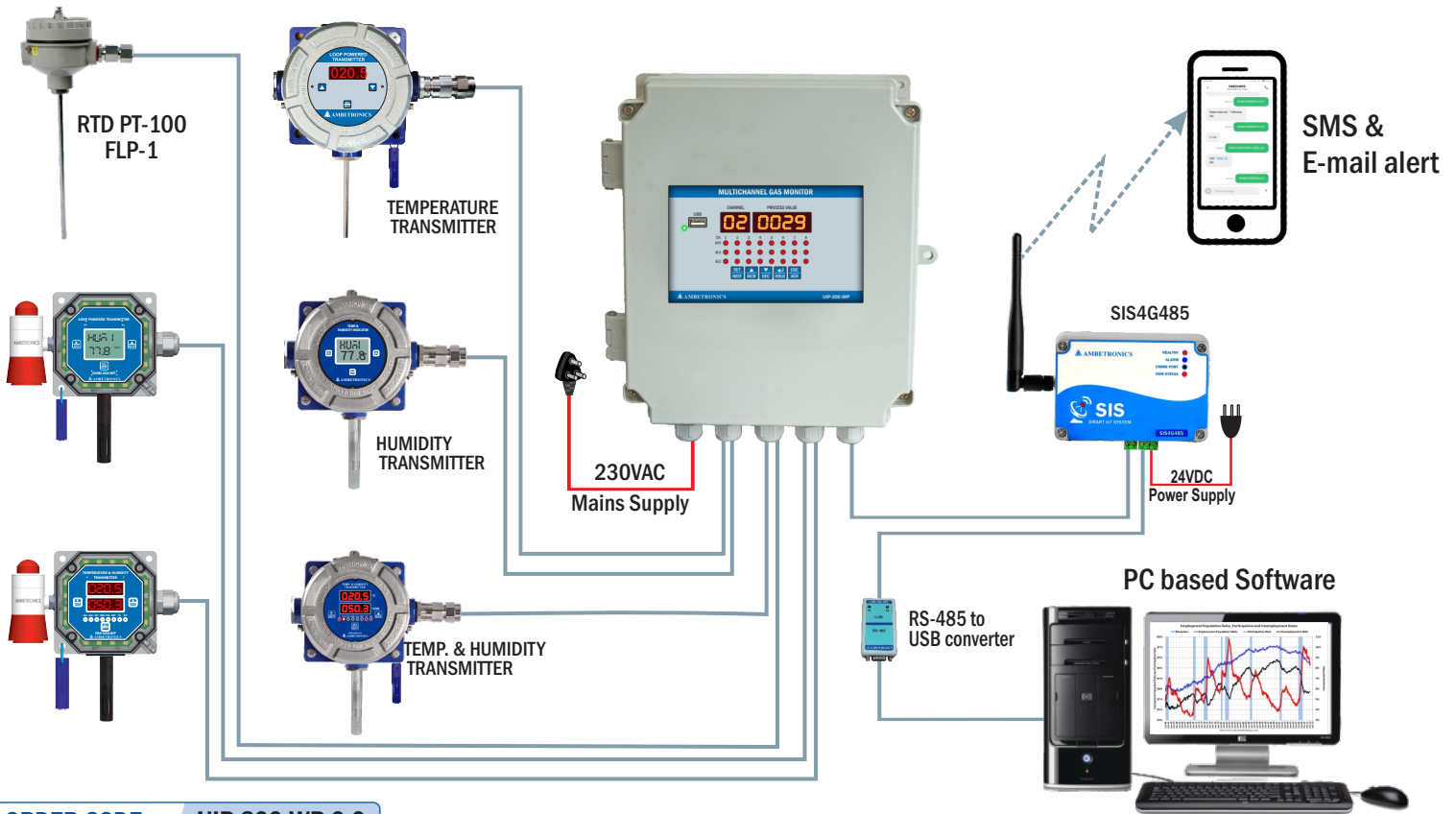


# UIP-800 -WP

## Universal Data Scanner/Logger



**AMBETRONICS**  
AN ISO 9001:2015 CERTIFIED COMPANY



**ORDER CODE :** UIP-800-WP-0-0

### Features

- Used latest microcontroller based technology for better accuracy
- 8 channel input 4-20mA programmable by user
- Easy on-line field calibration by front panel membrane keypad
- Field programmable channel scan time 1-240 sec., logging interval 1-9999 sec & printing interval 1-9999 sec.
- Remote acknowledgement facility for relays
- Optional RS-485 Modbus serial port
- Optional Serial Printing Port
- Optional USB host (For Pen Drive) for online / logged data report
- Optional Separate external relay module for Alarm-1, Alarm-2 & Healthy indication. Provided separate relay output per channel for AL1, AL2 & Healthy indication.

### Applications

- Fertilizer Plants
- Oil & Gas Industries
- Chemical Storage Area
- Refineries
- Chemical Processing Plant
- Offshore Drilling & Processing Platforms
- Gas Metering Stations
- Bullet Yard / Storage Yard
- Gas Pipeline Projects
- Chemical & Petrochemical Plants
- Hotel Industries
- Power Industrial Plants

### TECHNICAL SPECIFICATIONS

INPUTS	RANGE		RESOLUTION	ACCURACY
	Minimum	Maximum	NORMAL	FULL SCALE
RTD PT-100- (Resolution)	- 99.9°C	400.0°C	0.1	± 0.25%
RTD PT-100 (Without Resolution)	- 99°C	400 °C	1	± 0.25%
J - Type ( Fe - CON )	-100°C	750°C	1	± 0.25%
K - Type ( Cr - Al )	-100°C	1200°C	1	± 0.25%
R-Type (PT - 13%Rh / PT), S-Type (PT - 10%RH / PT)	-50°C	1750°C	1	± 0.25%
T - Type ( Cu / CON )	-99.9°C	400.0°C	0.1	± 0.25%
B-Type ( PT 30% Rh / PT 6% Rh )	+400°C	1820°C	1	± 0.25%
N - Type	-100°C	1200°C	1	± 0.25%
4 To 20mA	- 999	9999	Programmable by User	± 0.25%

**MUST FOR HUMAN & INDUSTRIAL SAFETY**

# TECHNICAL SPECIFICATIONS

## General

- Display** : 4 digits of 13 mm height Red L.E.D 7 segment display for 'Process Value' indication. 2 digit of 13 mm height Red L.E.D 7 segment display for Channel Number' indication
- Input** : 4-20mA
- Range** : 0-9999
- Accuracy** : ± 0.25%
- Control Action** : Low /High control action for the Alarm 1 & Alarm 2 (user programmable)
- Setting** : Setting by 5 keypad on front panel 'SET/NEXT', '8/DECREMENT', 'ENTER/HOLD', 'ESC/ACK' for Panel Mount & WP model and push button keys for FLP model.
- L.E.D. Indication** : 8 Nos. RED LEDs of 3mm each for alarm 1, alarm 2, Healthy indications for CH-1 to CH-8 for UIP-800 respectively.
- Set Point** : 2 independent user programmable set points for each channel with 4 common relay outputs & relay outputs common for CH-1 to CH-8 assignable to a particular channel. User settable latching for 4 common relays.
- Relay Output** : Relay output -NO/C/NC Relay Contact rated 5A/230VAC, for Relay-1, Relay-2, Relay-3 and Relay-4. Remote acknowledgement facility for Relays.

**Note :**  
If fail safe relay condition select yes, then we can use three relay for alarm condition.

## Electrical

- Supply Voltage** : 90 to 270 VAC, 50Hz OR 110 VDC to 270VDC
- Frequency** : 50Hz

## Environmental

- Operating Temperature** : -10°C To 60° C
- Relative Humidity** : Below 95%RH non condensing

## Performance

- Monitoring of Error** : Gas Detector 'Break / Open' display shows 'oPEn' indication. Condition Under range 'Undr'. Over range 'ouEr' indication for Gas Detector Inputs
- Scan Time** : 1 to 240 sec scan time between each channel; programmable by user
- Print Interval** : 1 to 9999 Sec for Direct print out on 80 Column EPSON (Optional) LX-310 Dot Matrix Serial Printer
- Logging Interval** : 1 to 9999 Sec log interval for data logger model; (Optional) programmable by user
- Logging internal** : Max. 8000 readings storing capacity for all 8 channel Data memory (Optional) Logger model

## Optional

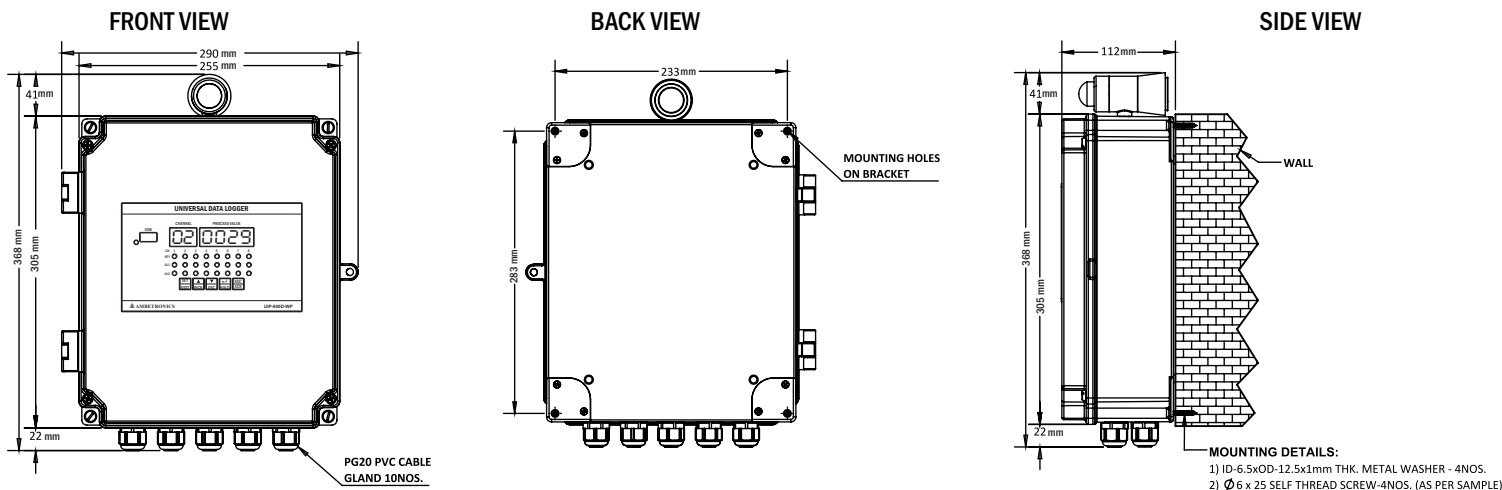
- Isolated RS-485-1 serial port with MODBUS RTU protocol output.
- Isolated RS-485-2 for External Alarm Relay Module.
- Isolated serial port for direct printout on 80 column Dot Matrix serial printer without need of Computer (PC)
- USB host (Pen Drive) connectivity for online and log data report immediate (Use FAT-32 configure Pen Drive).
- Data Acquisition Softwares for online graphs & history data reports

**Note :** 'c' and 'd' not available in FLP Model.

## Weatherproof Housing

- Protection Class** : IP 65
- Cabinet Material** : ABS Plastic
- Cable Entry** : Thermoplastic Cable Gland (IP 68) with Clamping Range of 2.5 to 6.5 mm
- Dimension** : 368 mm (H) x 290 mm (W) x 112 mm (D)
- Mounting** : Wall Mounting / Stand Mounting
- Weight** : Approx 2.5Kg

## DIMENSIONAL DETAILS



## ORDERING INFORMATION

### UIP-800-WP-X-X

- |  |                  |                                    |   |
|--|------------------|------------------------------------|---|
| <b>MODEL NO.</b><br>0) 800 SCANNER<br>1) 800D LOGGER | <b>ENCLOSURE</b> | <b>RS-485</b><br>0) NONE<br>1) YES | <b>USB INTERFACE</b><br>0) NONE<br>1) YES |
|--|------------------|------------------------------------|---|

Manufactured by :



**AMBETRONICS ENGINEERS PVT. LTD.**

17-B, 16, 14A, Tarun Industrial Estate, New Nagardas Road, Mogra Pada, Andheri (E.) Mumbai - 400 069, India.

- +91-22-6962 3389    +91-93207 37646    sales8@ambetronics.com  
+91-22-61673020/21    +91-91674 18106    sales11@ambetronics.com



Follow us on