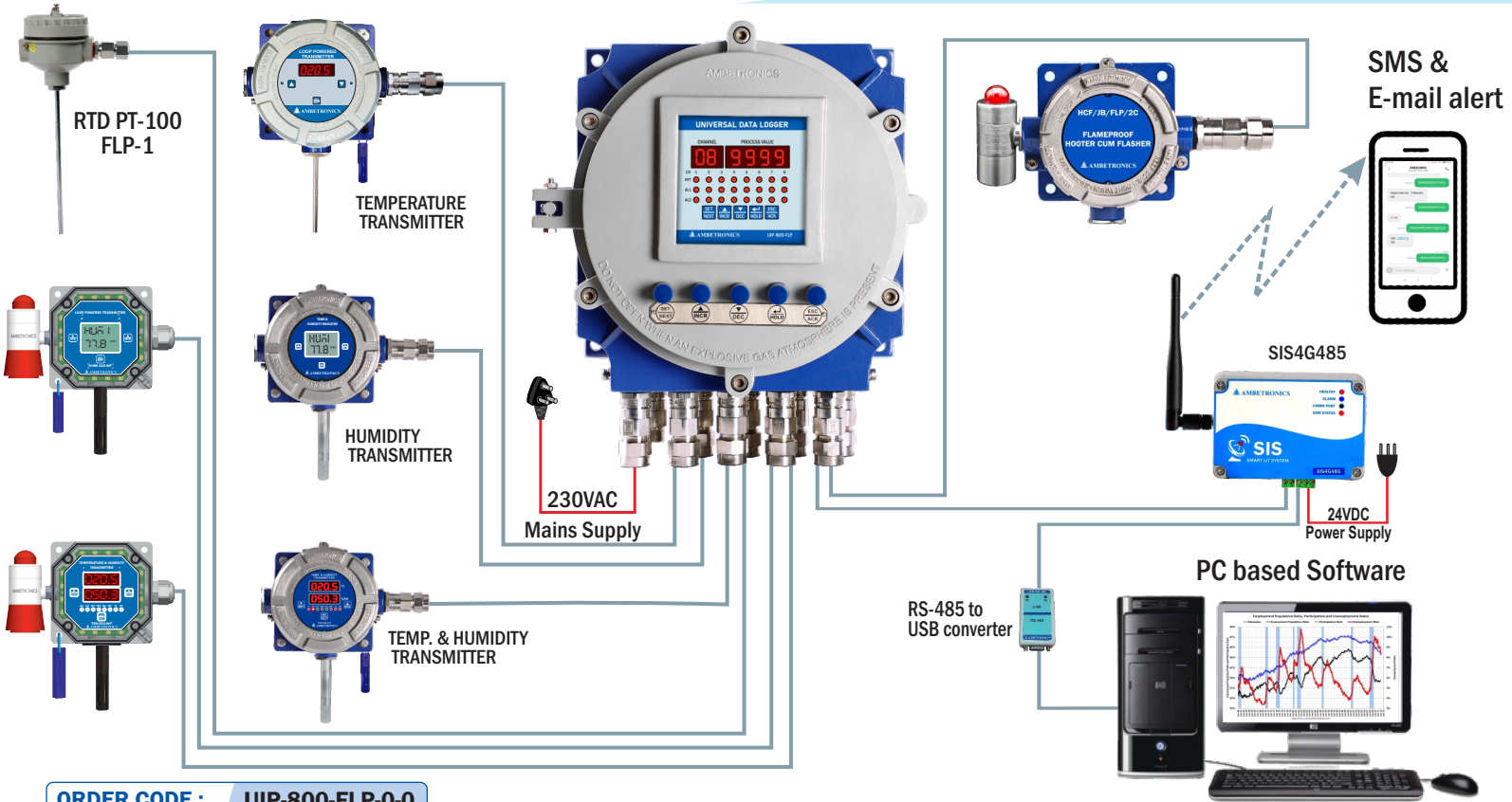


UIP-800 -FLP

Universal Data Scanner/Logger



AMBETRONICS
AN ISO 9001:2015 CERTIFIED COMPANY



ORDER CODE : UIP-800-FLP-0-0

Features

- Used latest microcontroller based technology for better accuracy
- 8 channel input 4-20mA programmable by user
- Easy on-line field calibration by front panel membrane keypad
- Field programmable channel scan time 1-240 sec., logging interval 1-9999 sec & printing interval 1-9999 sec.
- Remote acknowledgement facility for relays
- Optional RS-485 Modbus serial port
- Optional Serial Printing Port
- Optional USB host (For Pen Drive) for online / logged data report
- Optional Separate external relay module for Alarm-1, Alarm-2 & Healthy indication. Provided separate relay output per channel for AL1, AL2 & Healthy indication.

Applications

- Fertilizer Plants
- Oil & Gas Industries
- Chemical Storage Area
- Refineries
- Chemical Processing Plant
- Offshore Drilling & Processing Platforms
- Gas Metering Stations
- Bullet Yard / Storage Yard
- Gas Pipeline Projects
- Chemical & Petrochemical Plants
- Hotel Industries
- Power Industrial Plants

Approvals & Compliance

- Approval & Compliance for Flameproof Certified to Ex d IIC T6 Gb, IP66
- CIMFR CERTIFICATE NO. : CIMFR/TR20/672 Dt. : 26/02/2020
- PESO CERTIFICATE NO. : P538850/2 Dt. : 16/06/2022
- BIS MARK LICENCE NO. : 7800046916
- Standard Compliance :
 - IS / IEC 60079-1 : 2014 Ex d IIC T6 Gb
 - IS / IEC 60079-31 : 2013 Ex ta IIIC T 85°C Da
 - IS / IEC 60529 : 2001 IP66

TECHNICAL SPECIFICATIONS

| INPUTS | RANGE | | RESOLUTION | ACCURACY |
|--|---------|---------|----------------------|------------|
| | Minimum | Maximum | NORMAL | FULL SCALE |
| RTD PT-100- (Resolution) | -99.9°C | 400.0°C | 0.1 | ± 0.25% |
| RTD PT-100 (Without Resolution) | -99°C | 400 °C | 1 | ± 0.25% |
| J - Type (Fe - CON) | -100°C | 750°C | 1 | ± 0.25% |
| K - Type (Cr - Al) | -100°C | 1200°C | 1 | ± 0.25% |
| R-Type (PT - 13%Rh / PT), S-Type (PT - 10%RH / PT) | -50°C | 1750°C | 1 | ± 0.25% |
| T - Type (Cu / CON) | -99.9°C | 400.0°C | 0.1 | ± 0.25% |
| B-Type (PT 30% Rh / PT 6% Rh) | +400°C | 1820°C | 1 | ± 0.25% |
| N - Type | -100°C | 1200°C | 1 | ± 0.25% |
| 4 To 20mA | - 999 | 9999 | Programmable by User | ± 0.25% |

MUST FOR HUMAN & INDUSTRIAL SAFETY

TECHNICAL SPECIFICATIONS

General

- Display** : 4 digits of 13 mm height Red L.E.D 7 segment display for 'Process Value' indication. 2 digit of 13 mm height Red L.E.D 7 segment display for 'Channel Number' indication
- Input** : 4-20mA
- Range** : 0-9999
- Accuracy** : ± 0.25%
- Control Action** : Low /High control action for the Alarm 1 & Alarm 2 (user programmable)
- Setting** : Setting by 5 keypad on front panel 'SET/NEXT', '8/DECREMENT', 'ENTER / HOLD', 'ESC/ACK' for Panel Mount & WP model and push button keys for FLP model.
- L.E.D. Indication** : 8 Nos. RED LEDs of 3mm each for alarm 1, alarm 2, Healthy indications for CH-1 to CH-8 for UIP-800 respectively.
- Set Point** : 2 independent user programmable set points for each channel with 4 common relay outputs & relay outputs common for CH-1 to CH-8 assignable to a particular channel. User settable latching for 4 common relays.
- Relay Output** : Relay output -NO/C/NC Relay Contact rated 5A/230VAC, for Relay-1, Relay-2, Relay-3 and Relay-4. Remote acknowledgement facility for Relays

Note : If fail safe relay condition select yes, then we can use three relay for alarm condition.

Performance

- Monitoring of Error Condition** : Gas Detector 'Break / Open' display shows 'oPeN' indication. Under range 'Undr'. Over range 'ouEr' indication for Gas Detector Inputs
- Scan Time** : 1 to 240 sec scan time between each channel; programmable by user
- Print Interval (Optional)** : 1 to 9999 Sec for Direct print out on 80 Column EPSON LX-310 Dot Matrix Serial Printer
- Logging Interval (Optional)** : 1 to 9999 Sec log interval for data logger model; programmable by user
- Logging internal memory (Optional)** : Max. 8000 readings storing capacity for all 8 channel Data Logger model

Electrical

- Supply Voltage** : 90 to 270 VAC, 50Hz OR 110 VDC to 270VDC
- Frequency** : 50Hz

Environmental

- Operating Temperature** : -10°C To 60° C
- Relative Humidity** : Below 95%RH non condensing

Optional

- Isolated RS-485-1 serial port with MODBUS RTU protocol output.
- Isolated RS-485-2 for External Alarm Relay Module.
- Isolated serial port for direct printout on 80 column Dot Matrix serial printer without need of Computer (PC)
- USB host (Pen Drive) connectivity for online and log data report immediate (Use FAT-32 configure Pen Drive).
- Data Acquisition Softwares for online graphs & history data reports

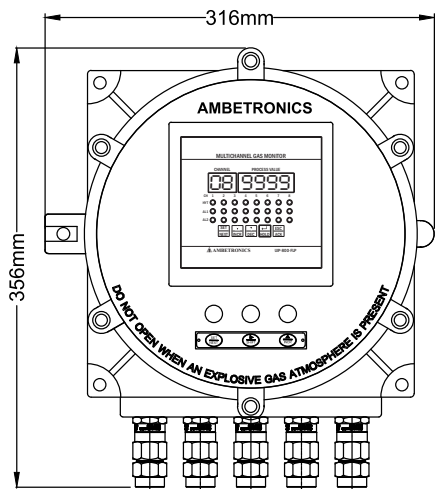
Note : 'c' and 'd' not available in FLP Model.

Flameproof Housing

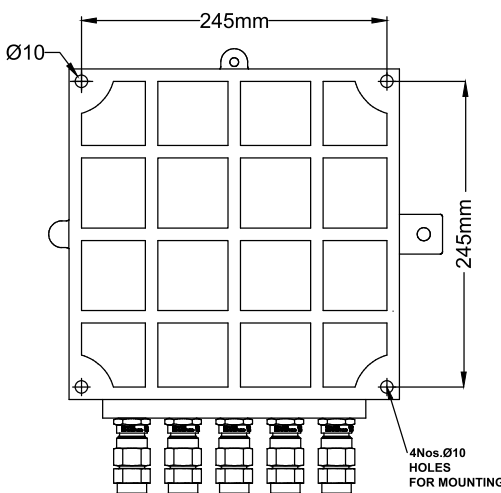
- Degree of Protection Class** : IP-66
- CIMFR CERTIFICATE NO. : IN/CIMFR/TR20/672 Dt. : 26/02/2020
 - PESO CERTIFICATE NO. : P538850/2 Dt. : 16/06/2022
- Housing Material** : Cast Aluminum Lm6 Alloy Enclosure
- Cable Entry** : Flameproof, Weatherproof IP66 Double compression cable gland (Ex d) Model No. : CG/FLP/2C
M20 x 1.5 (P) & M25 x 1.5(P), ½" NPT & ¾" NPT
- CIMFR CERTIFICATE NO. : IN/CIMFR/TR 21/R/2147 Dt. : 12/10/2021
 - PESO CERTIFICATE NO. : P538850/7 Dt. : 16/06/2022
- Dimension** : 356 mm (H) x 316 mm (W) x 183 mm (D)
- Mounting** : Wall Mounting / Stand Mounting
- Weight** : Approx 12 Kg

DIMENSIONAL DETAILS

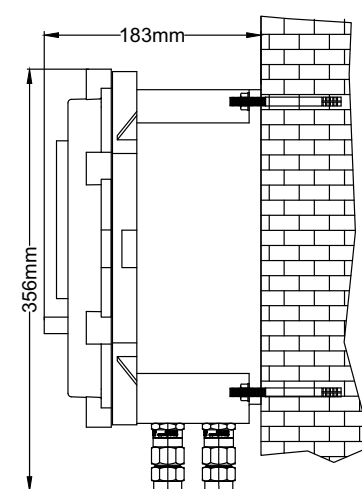
FRONT VIEW



BACK VIEW



SIDE VIEW



ORDERING INFORMATION

UIP-800-FLP-X-X

- | | | | |
|--|------------------|------------------------------------|---|
| MODEL NO. 0) 800 SCANNER 1) 800D LOGGER | ENCLOSURE | RS-485 0) NONE 1) YES | USB INTERFACE 0) NONE 1) YES |
|--|------------------|------------------------------------|---|

Manufactured by :



CIMFR



PESO



AMBETRONICS ENGINEERS PVT. LTD.

17-B, 16, 14A, Tarun Industrial Estate, New Nagardas Road, Mogra Pada, Andheri (E.) Mumbai - 400 069, India.



+91-22-6962 3389



+91-93207 37646



sales8@ambetronics.com

+91-22-61673020/21

+91-91674 18106

sales11@ambetronics.com

Follow us on



Version : UIP-800-FLP-0-0-R2-09-09-2023