

SMART IoT GATEWAY SIG4RCV-WP



SIG4RCV (WP)



FEATURES:

- Support upto 32 Wireless Gas Detectors (WGD-100)
- 4G GSM Connectivity
- Dual SIM card slots for Redundancy with Auto SIM switching in case of network failure
- MQTT cloud connectivity
- Encrypted Data received from slave devices (WGD-100)
- Two settable Alarm set-points for each channel (High/Low)
- 4 - DPDT Relays with NO/NC contact for control action, rating of 5Amp/230VAC
- Inbuilt Buzzer for Audio Alarm Indication
- Bi-colour L.E.D. indications for Alarms & Device status
- Two configurable alarms with Low, High Logic
- Password Protected Function Menu to avoid unauthorized use
- Data collection over MODBUS RTU / MODBUS TCP IP.
- 128 x 64 Graphical L.C.D. Display for easy programming
- Pendrive Interface for data logging (online and offline logging)
- Network failsafe memory logging and Records upto 32,000
- Smart Log Pro (Software) for Monitoring and data visualization

APPLICATIONS:

- Refineries & Petrochemical plants including offshore drilling & plant shutdowns
- Automotive Industrial/Paints Shops
- Chemical Processing Plant
- Acid Alkalis & Dyes mfg. Plants
- Bullet Yards / Storage Yard
- Waste water Treatment plants
- Leak detection in Gas Pipelines
- Process or Emission gas analysis
- Coal Mines
- Gas Metering Skid
- Gas Cylinder Bank
- Sewage Plants
- Fertilizers Plants
- Chlorination Plant
- Oil & Gas Industries
- Gas Pipeline Project
- Pulp & Paper Plant
- Gas Metering Station
- Burner / Furnace Areas
- Cold Storage
- Stack Monitoring
- Ambient Monitoring
- Heat Treatment Plants
- Chemical Storage Area
- Control Atmosphere
- Power & Industrial Plants

TECHNICAL SPECIFICATION

DEVICE CONFIGURATION

- Nodes : Upto 32 configurable wireless gas detectors
- Security : Password protected configuration

GSM SPECIFICATION

- Cellular connectivity : 4G GSM connectivity
- SIM Slot : Dual SIM card slots for Redundancy with Auto SIM switching in case of network failure
- Antenna : Up to 15 dBi
: Internal / External (in low network area)
- Cloud connectivity : MQTT

DISPLAY, L.E.D. INDICATION & USER INTERFACE

- Display : 128 x 64 Graphical L.C.D. Display
- Keys : 3 keys (SHIFT key, SET Key, INCR key)
- Interface : MODBUS RTU / MODBUS TCP-IP

L.E.D. Indications :

- Healthy : Blue / Red L.E.D.
- AL1/AL2 : Blue / Red L.E.D.
- Network : Blue L.E.D.
- COMM : Blue / Red L.E.D.

ALERT & NOTIFICATION

- Buzzer : Beep Sound
- Relay : 4 DPDT Relays with NO / C / NC standard

ELECTRICAL SPECIFICATIONS

- Operating Voltage : 12V DC input
- Reverse Power Protection : Available
- Overload Protection : Available
- Power Input : Terminal Block / Power Adaptor

ENVIRONMENTAL SPECIFICATIONS

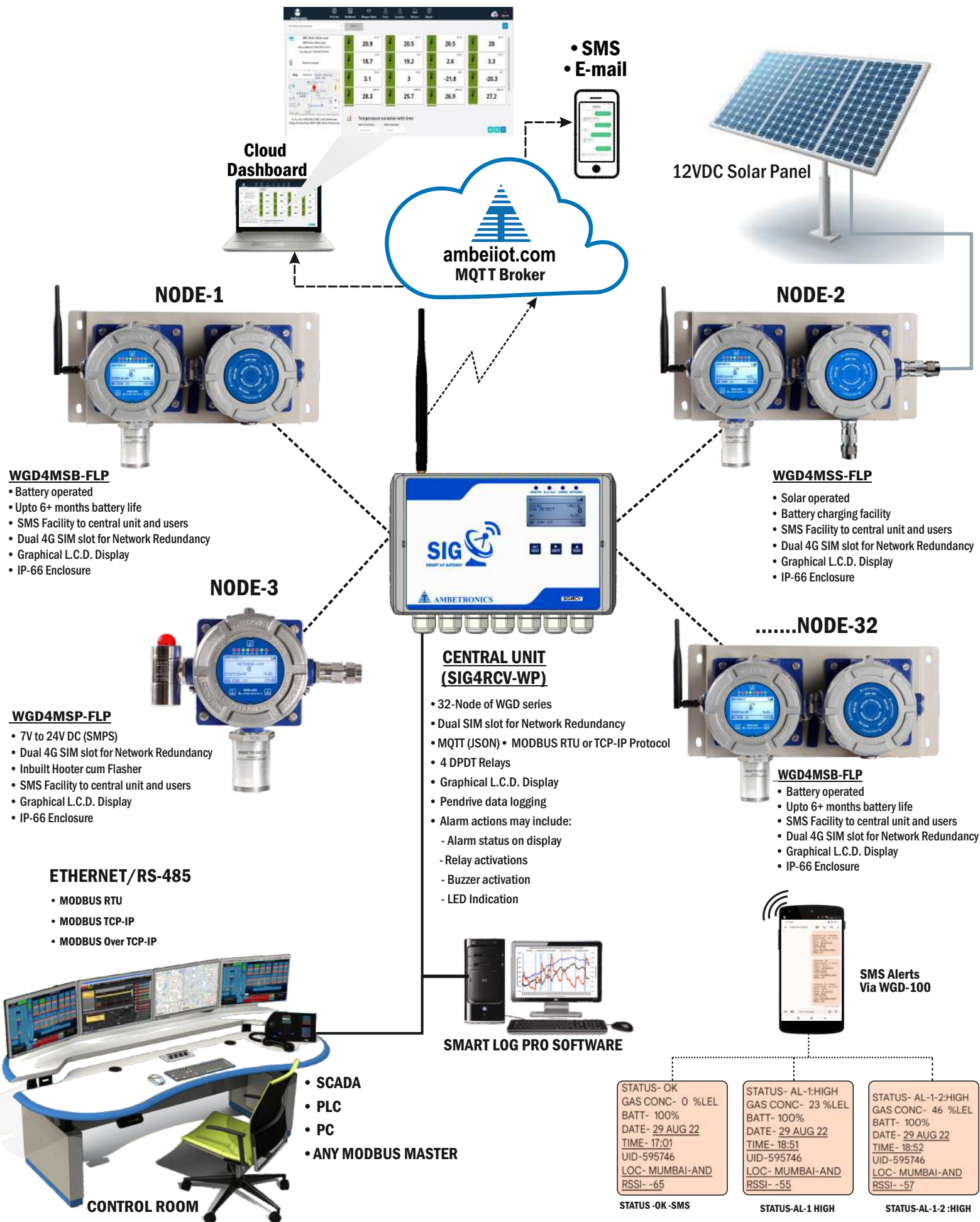
- Temperature Range : -10°C to 60°C
- Relative Humidity : 10% to 90% RH, Non- Condensing

HOUSING DETAILS

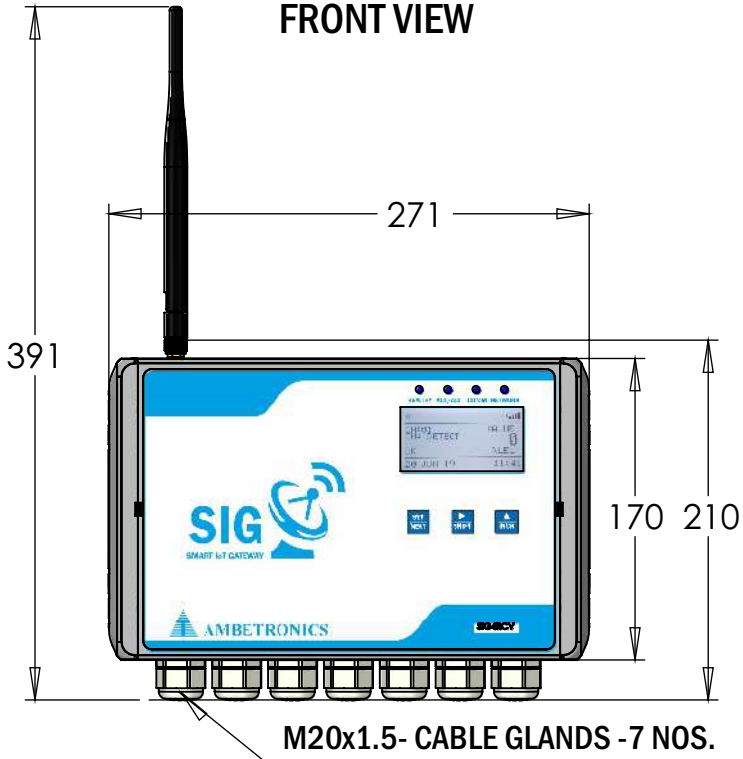
SIG- WP

- Protection class : IP-65, German enclosure
- Cabinet Material : Polycarbonate, White colour
- Cable Entry : Thermoplastic cable gland (IP 68)
- Dimension : 271mm (H) x 170mm (W) x 60mm (D)
- Mounting : Wall Mounting / Stand Mounting / Pipe Mounting
- Weight : Approx 1 kg

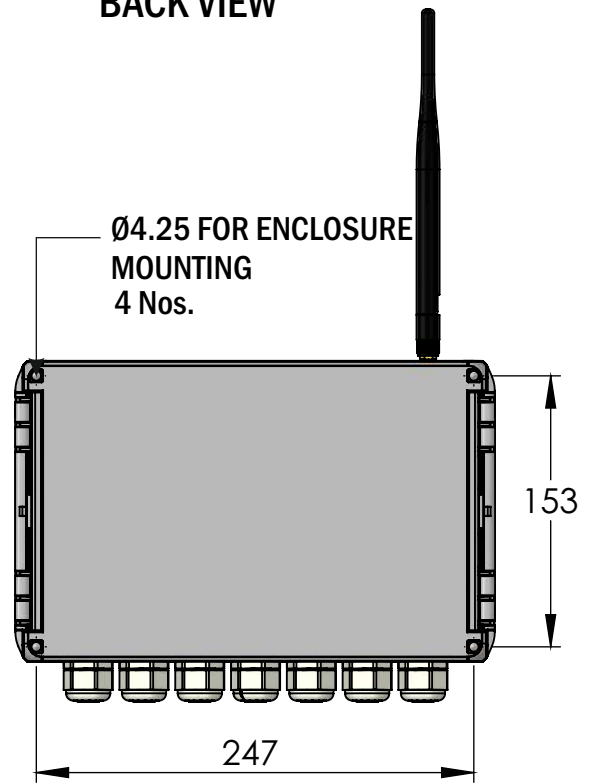
Comprehensive Solution for Wireless Gas Detection & Control



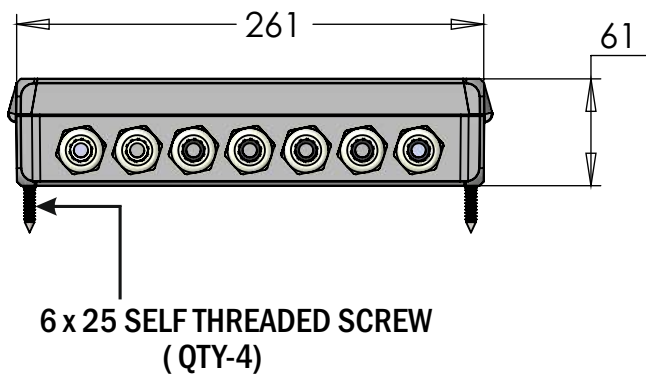
FRONT VIEW



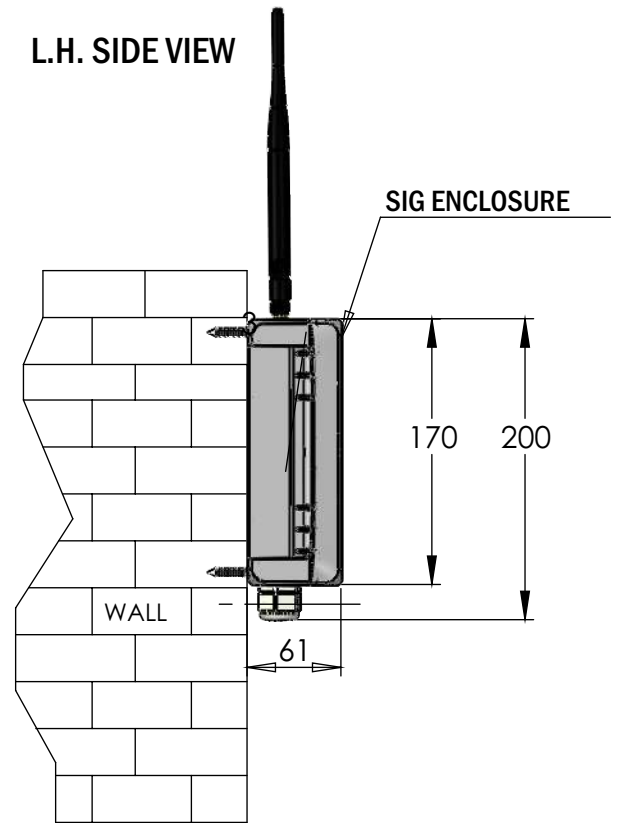
BACK VIEW



BOTTOM VIEW



L.H. SIDE VIEW



WALL MOUNTING DETAILS

Note: Above application may change as per indoor & outdoor requirements.

Manufactured by :

AMBETRONICS ENGINEERS PVT. LTD.

17-B, Tarun Industrial Estate, Mogra Pada, New Nagardas Road, Andheri (E.) Mumbai - 400 069, India.

Mob.: +91-9326610183 • +91-9167418106 • Tel.: +91-22-61673000/68 , 28371143

E-mail : iot@ambetronics.com • manan@ambetronics.com • Web : www.ambetronics.com



Follow us on



Version : SIG4RCV-WP-R3-02-09-2022