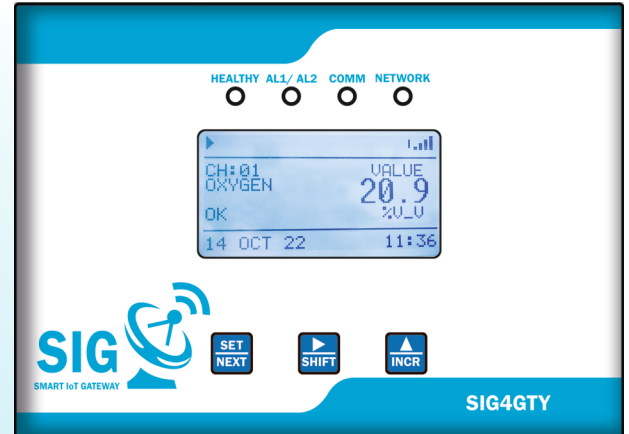


## ADDRESSABLE MULTICHANNEL GAS MONITORS WITH INBUILT GSM MODEM



### LED Indications

- Healthy : Blue colour indicate the Healthy status & Red colour indicate the faulty of the device.
- Alarm (AL1/AL2) : Blue colour indicate ok condition & Red colour indicate alarm condition
- Comm : Indicate communication between master & slave devices.
- Network : 2 sec. ON and 1 sec. OFF for good network condition

### LCD Display

- Network strength of GSM.
- Name & unit of the slave device (Detectors) (upto 10 characters).
- Status & Values of the slave device. • Date & Time.

**Keys** : 3 push buttons

## OVERVIEW

SIG provides reliable and highly scalable solution for IoT deployment. SIG is a versatile device which read the MODBUS memory map of any RS-485 MODBUS protocol device and send the data to the cloud server. The data stored can be viewed as per customer requirement on dashboard. SIG is an ideal solution for online monitoring of RS-485 MODBUS data.

SIG supports generic MODBUS RTU/MODBUS TCP-IP or MODBUS over TCP-IP Protocols for data acquisition and uses MQTT protocol to communicate with IT application database on cloud. Multiple slave devices can be configured to SIG. It remotely monitor all industrial sensor data & send to the cloud server.

## FEATURES

- Supported 48-Nodes
- Dual 4G SIM slot for Redundancy, if one SIM network fails
- Two settable Alarm set-points for each channel (High/Low)
- Communication Failure detection
- 4 - DPDT Relays for control action
- Inbuilt Buzzer for Audio Alarm Indication with snooze
- Bi-colour L.E.D. indications for Alarms & Device status
- 230VAC Input (for inbuilt SMPS)
- RS-485 port for input ( Ethernet optional )
- RS-485 /Ethernet (optional) Output Port (for SCADA/PLC/PC )
- 128 x 64 Graphical L.C.D. Display
- Network failure
- Pendrive Interface for data logging
- SMS & E-mail alerts
- MQTT Protocol for cloud application.
- AEPL-IoT PC Software for configuration
- Ambeiot cloud supported for data monitoring.
- Smartlog Pro software supported for data monitoring

## DEVICE CONFIGURATION

Nodes	: 48 - Nodes Compatible
Configuration	: AEPL-IIoT PC Software
Operating Mode	: Programming and Applications
Security	: Password protected configuration

## GSM SPECIFICATION

Cellular connectivity	: 2G/3G/4G
SIM Slot	: 02 Nos.

## DISPLAY & LED INDICATORS

Display	: 128 x 64 GLCD
Healthy	: Blue / Red
AL1/AL2	: Blue / Red
MODBUS Communication	: Blue / Red
Network	: Blue

## SERIAL INTERFACE

Interface mode	: RS-485 MODBUS RTU
Supported Baud Rates	: 9600, 19200, 38400, 57600
Parity	: None, Odd, Even
Stop Bits	: 1, 2
Protocol Supported	: MODBUS RTU/MODBUS TCP-IP or MODBUS over TCP-IP
Connector	: 3 pin terminal block (RJ45 Optional)

## ALERT & NOTIFICATION

SMS	: 10 Mobile numbers
E-mail	: 5 E-mail addresses
Buzzer	: Beep Sound
Relay	: 4 DPDT Relays

## CLOUD CONNECTIVITY

Protocol	: MQTT
Data Format	: JSON
Data Interval	: 1 to 60 mins.

## DATA STORAGE

Data Format : CSV

### For Gateway Device

Log Records on Network Fail : 65,000 - Records

### Pendrive Logging

Off Line Log Records : 32,000 - Records

On line Log Records : Depending upon data storage of pendrive

## ELECTRICAL SPECIFICATIONS

Operating Voltage	: 230VAC
Reverse Power Protection	: Available
Overload Protection	: Available
Power Input	: Terminal Block

## ENVIRONMENTAL SPECIFICATIONS

Temperature Range	: -10° C to 50° C
Relative Humidity	: 10% to 90% RH, Non- Condensing

## HOUSING DETAILS

### SIG- FLP

Degree of Protection Class : IP-66

- CIMFR CERTIFICATE NO. : CIMFR/TC/P/1923 Dt. : 26/08/2019
- PESO CERTIFICATE NO. : P468728/1 Dt. : 21/02/2020

Housing Material : cast Aluminum Lm6 Alloy or cast Iron (C.I.) Enclosure

Cable Entry : Flameproof, Weatherproof IP66 Double compression cable gland (Ex d) Model No. : CG/FLP/2C  
M20 x 1.5 (P) & M25 x 1.5(P), ½" NPT & ¾" NPT

- CIMFR CERTIFICATE NO. : CIMFR/TC/P/1313 Dt. : 19/09/2018
- PESO CERTIFICATE NO. : P431645/2 Dt. : 19/11/2019

Dimension : 356 mm (H) x 316 mm (W) x 183 mm (D)

Mounting : Wall Mounting / Stand Mounting

Weight : Approx 12 Kg

## AVAILABLE SOLUTION IN DIFFERENT ENCLOSURES

SIG4GTY-FLP

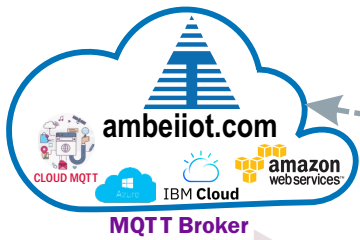


SIG4GTY-MS

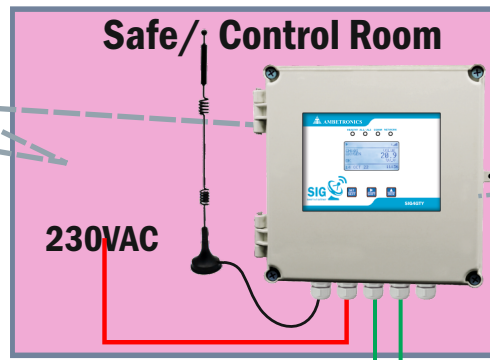




# Illustration of Smart IoT Gateway



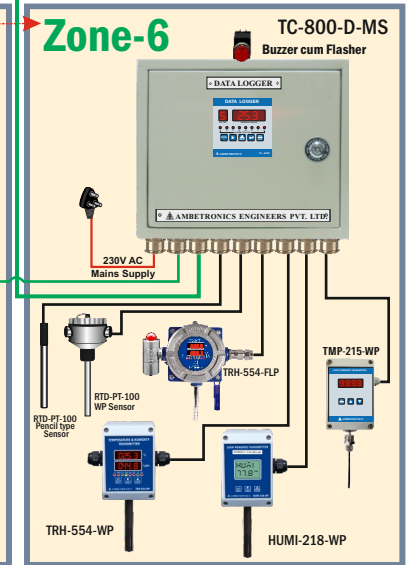
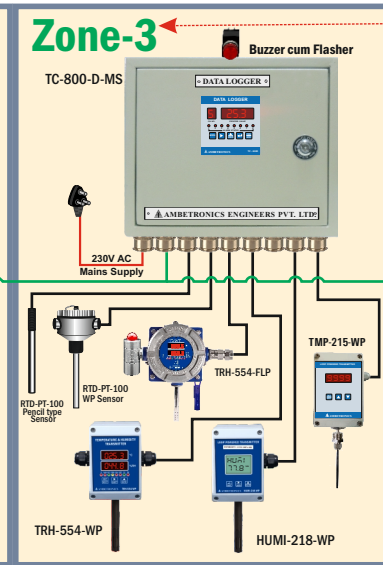
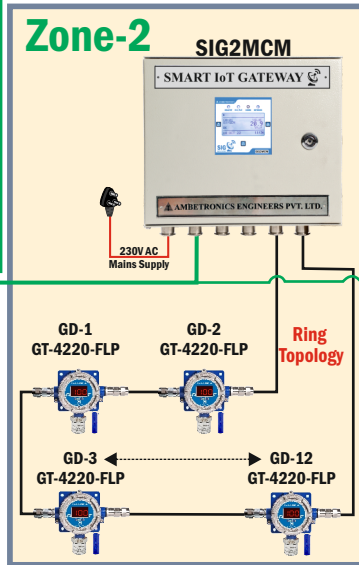
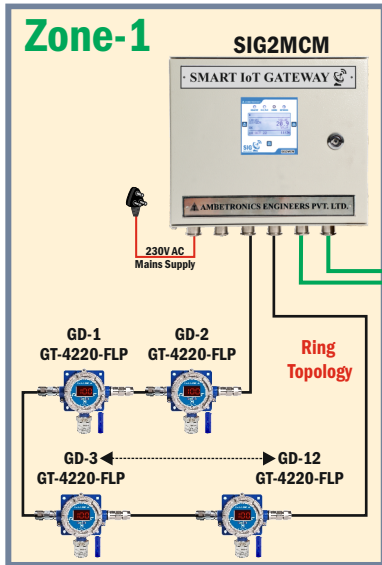
With GSM



SMS & E-mail

RS-485 (Ring Topology)

RS-485 (Ring Topology)



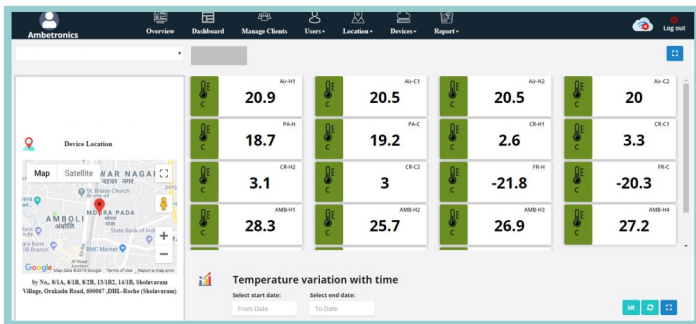
\* Product images are only for representation, Actual image and size may differ

\* Kindly ask for detail Catalogue and specification of each product

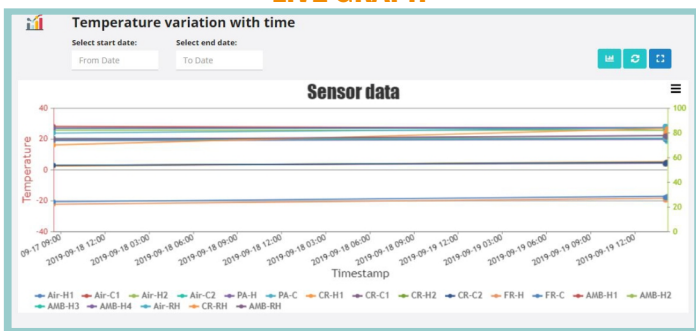
## Ambetronics IoT Dashboard

[www.ambeiiot.com](http://www.ambeiiot.com)

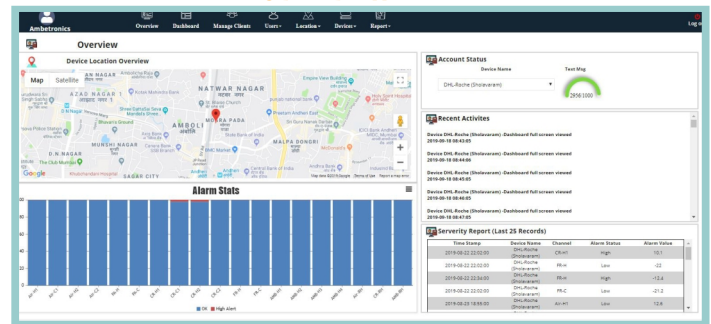
### DASHBOARD



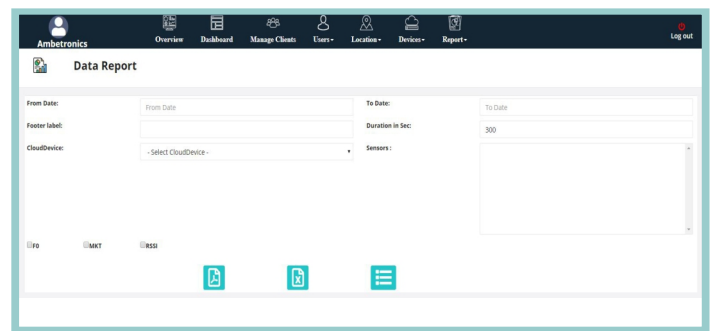
### LIVE GRAPH



### OVER VIEW



### REPORTS



Manufactured by :

**AMBETRONICS ENGINEERS PVT. LTD.**

17-B, Tarun Industrial Estate, Mogra Pada, New Nagardas Road, Andheri (E.) Mumbai - 400 069, India.

Mob.: +91-9326610183 • +91-9167418106 • Tel.: +91-22-61673000/67, 28371143

E-mail : [iot@ambetronics.com](mailto:iot@ambetronics.com) • [manan@ambetronics.com](mailto:manan@ambetronics.com) • Web : [www.ambetronics.com](http://www.ambetronics.com)



Follow us on

