

# RS-232 TO RS-485 ASYNCHRONOUS BIDIRECTIONAL CONVERTOR



## PRODUCT DESCRIPTION

Ambetronics family introduces you RS-232 to RS-485 are the best choice for transmitting serial data Across RS232 to RS 485 or vice a versa. Offering flexibility, high performance and advance RS-232 to RS 485 converter technology, AEPL's RS-232-485 are ideal for applications and devices that require an efficient way of communicating with serial RS-232 to RS 485.

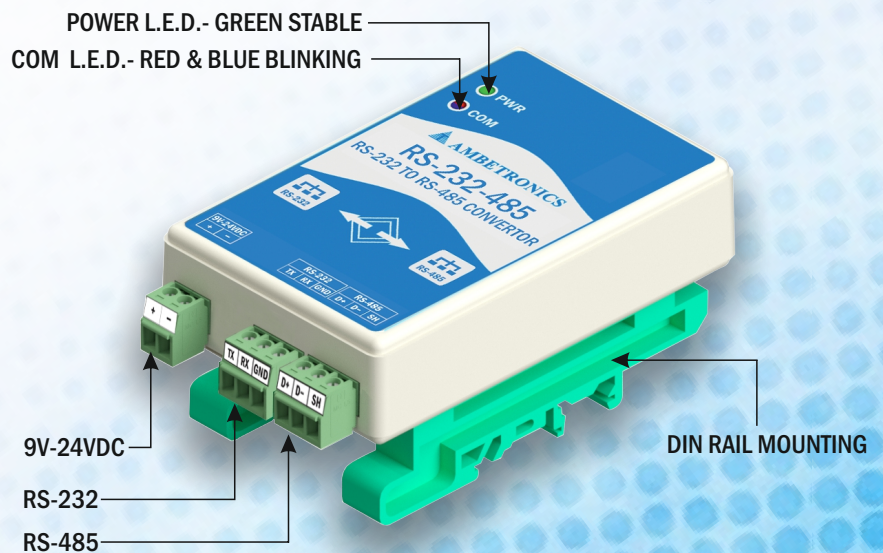
We appreciate your good choice for our products. These products have been delivered to the customers after thorough quality control and testing.

This is a RS232 to RS485 convertor. Which converts RS232 Signals RS485 Signals and extends the distance up to 1200 meters.

Isolated Connectors are given for respective signals RS232 and RS 485, also for DC Power Supply 2 pin terminal connector is given.

## FEATURES

- Compatible with RS232/RS485 standard, it can convert RS232 signal to balanced difference RS485 signal.
- Stable transmitting rate, supports baudrate 300~115200bps
- DC power interface supports 9V~24V wide-range DC voltage for different applications
- 2 LEDs for indicating the power and transceiver status.
- ABS enclosure with din rail Mounting, solid and durable.



# TECHNICAL SPECIFICATION

- Product type : RS232 to RS485 convertor
- Baud rate : 300~115200bps
- Device interface : Standard RS232/RS485
- RS232 interface :
  - Connector : 3 pin MC Connector
  - Transmitting range : about 15 meters
  - Transmitting type : Point-to-Point
- RS485 interface :
  - Connector : 3 pin MC Connector
  - Transmitting range : about 1200 meters
- Input data : MODBUS addresses, Frame data
- Direction control : Hardware auto-controlling
- Indicators :
  - PWR : Power indicator, turns green when power supply is connected
  - COM indicator, turns RED when data is transmitted from RS232 port., COM indicator, turns BLUE when data is received by RS232 port
- Environment :
  - Working temperature : -20°C to 55°C
  - Storage temperature : -20°C to 60°C
  - Relative humidity : 5% to 95% RH, Non-condensing
- Housing Details :
  - Size : 101 mm (H) x 58.5mm (W) x 23mm (D)
  - Material : ABS Plastic.
  - Weight : ~ 200g
  - Mounting : Din Rail / Wall mounting

## ILLUSTRATION

Energy Meter



HMI Panel



PLC Panel



Barcode Scanner



RS-232



RS-232



RS-485 to  
USB Converter

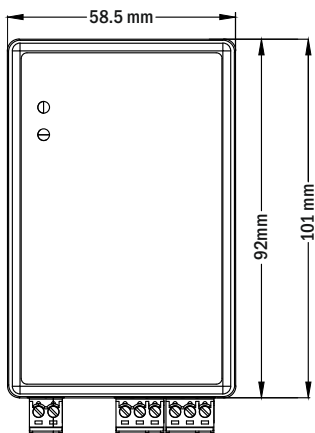
RS-485



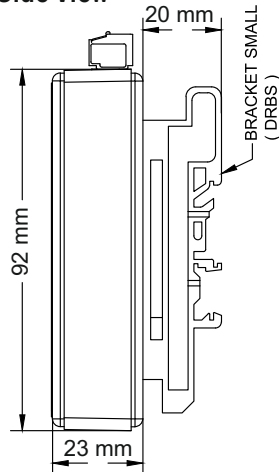
MODBUS Read Software / Smart Log Pro Software

## DIMENSION AND MOUNTING DETAILS

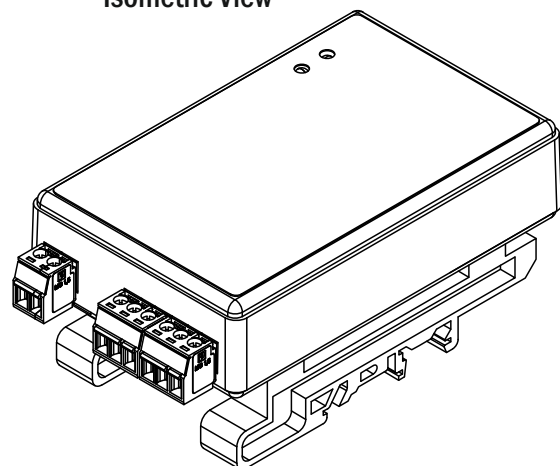
Front View



Side View



Isometric View



Manufactured by :

**AMBETRONICS ENGINEERS PVT. LTD.**

17-B, Tarun Industrial Estate, Mogra Pada, New Nagardas Road, Andheri (E.) Mumbai - 400 069, India.

Mob.: +91-9326610183 • +91-9167418106 • Tel.: +91-22-61673000/68, 28371143

E-mail : [iot@ambetronics.com](mailto:iot@ambetronics.com) • [manan@ambetronics.com](mailto:manan@ambetronics.com) • Web : [www.ambetronics.com](http://www.ambetronics.com)



Follow us on

