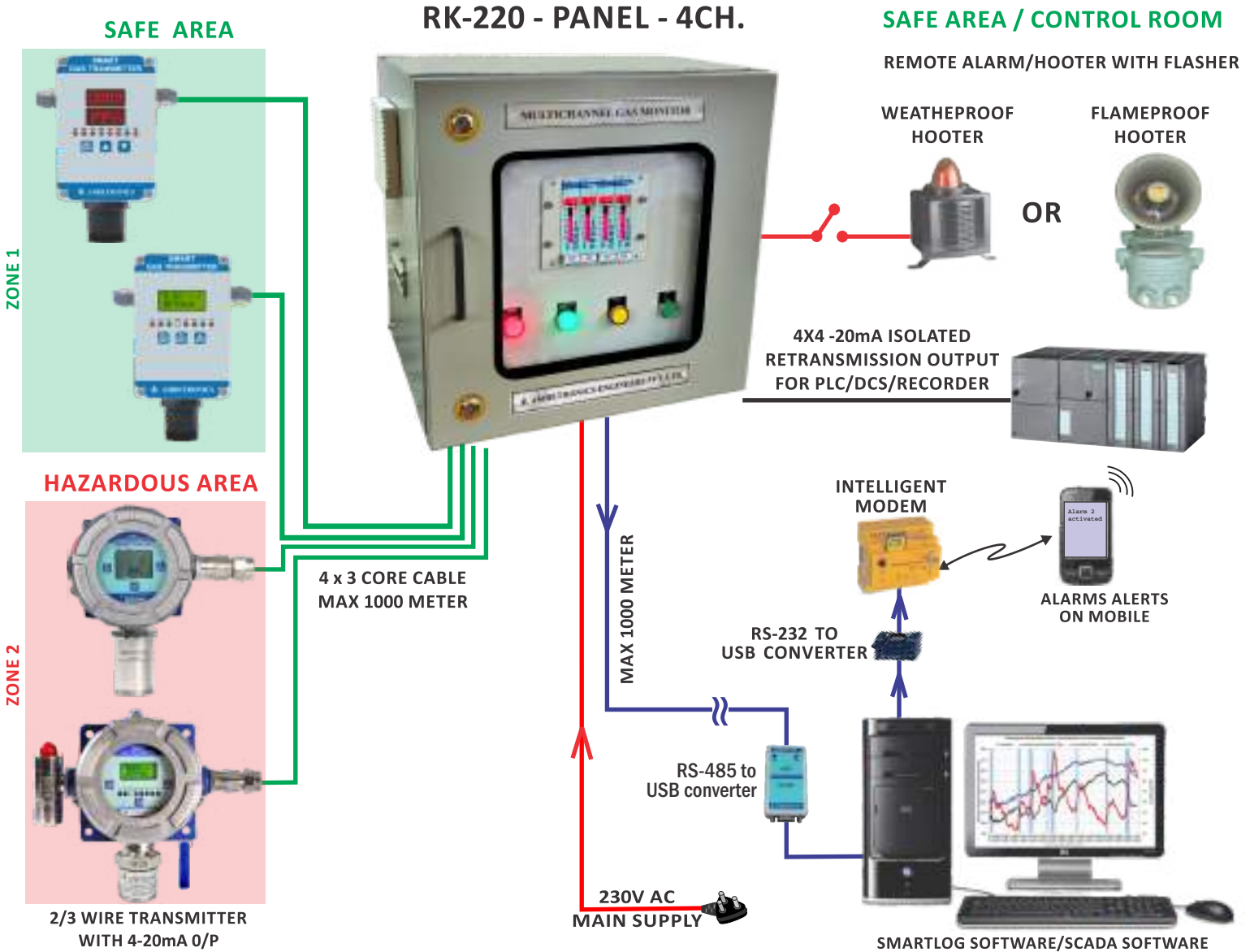


MULTICHANNEL GAS MONITOR RACK TYPE - 4CH. FOR OXYGEN / TOXIC / COMBUSTIBLE GASES



Features

- Fail Safe Operational Design
- Continues Gas Monitoring and Alarm System
- Modular Design Card with Individual Display with Bar Graph Indication for each Transmitter
- Easily Expandable & Easy for Maintenance / Calibration
- Individual Alarm Relay / Open Collector outputs for each Gas Transmitter
- Gas Range, Resolution, control Action, Latch Facility programmable by users / multilayer password protected
- Inhibit / Service Mode, at the time of maintenance Alarm Relay become inactive
- Easy Automatic Software Calibration - No Trim Pots
- Optional isolated linear 4 - 20 mA O/P with Respect to gas concentration programmable by user
- Optional isolated RS-485 with MODBUS RTU Protocol for DCS/ PLC

Approval & Compliance

- Compliance with IEC-60945 Standard for Marine application

Applications

- Refineries
- Sewage Plants
- Fertilizers Plants
- Stack Monitoring
- Gas Cylinder Bank
- Pulp & Paper Plants
- Oil & Gas Industries
- Ambient Monitoring
- Gas Pipeline Project
- Gas Metering Station
- Heat Treatment Plants
- Chemical Storage Area
- Burner / Furnace Areas
- Bullet Yard / Storage Yard
- Coal Mine and Confined Area
- Chemical & Petrochemical Plants
- Chemical Processing Plant
- Acid alkalizes & Dyes Mfg. Plants
- Offshore Drilling & Processing Platforms
- Automotive Industries / Paint Shops

MUST FOR HUMAN AND INDUSTRIAL SAFETY

TECHNICAL SPECIFICATIONS

General Specification

Input	: 4 x 4 to 20mA output from Oxygen / Toxic / Combustible Gas Transmitter.
Range	: 0 to 999 in unit PPM or % LEL or %V/V Programmable by user.
Resolution	: 0.01, 0.1, 1 programmable by user
Display	: 3 Digits of 8 mm (H) Red L.E.D. display for Gas Concentration 20 segment Red color Bar Graph Display for Gas concentration 100% Fullscale, 5% Per step L.E.D.
LED Indication	: 8 No. AL1, AL2, AL3, Health Check / Failsafe Indication PRG, CAL Optional TX / RX for Transmitting Receiving signal
Set Point	: 3 Independent Alarm set point programmable by user AL1, AL2, AL3
No. of Input cards	: Max. 4 module cards
Control Action	: LO/HI, HI/LO, LO/Very LO, HI-very HI, Programmable by user AL1, AL2, AL3.
Setting	: Setting by 4 keys on front panel 'Set/Next,' 'Up', 'Down', 'Test / Ack'

Performance

Measurement Accuracy: $\pm 1\%$ of the full-scale value.

Electrical

Power Supply	: 18 to 36 VDC, 24VDC normal for module card OR 230V AC $\pm 10\%$ for wall mounted panel
Cable	: 1.5 sq. mm 3 core OR 2 core, Flexible OR Armoured shielded cable from Gas Transmitter to Monitor

Error Monitoring

- i) Display : If Sensor Break / Open display shows 'oPn', For Under range display shows 'Lind' & For Over range display shows 'our'
- ii) Current O/P : Up scale current > 21mA, Down scale current < 1mA, selectable

Output Signal

Relay Output	: 4 No. 1 NO/C/NC relay contact rated 230VAC / 5A for AL1, AL2, AL3 and Fail safe Relay for each channel.
Relay Latching optional	: Programmable latch/Non-Latch facility for AL1, AL2 & AL3
	: a) Isolated RS-485 Serial port with MODBUS RTU Protocol output for PLC / DCS
	: b) 4x4-20mA Isolated retransmission output for PLC, DCS, any recorder
	: c) 4 No, Open Collector O/P rated 100mA at 32VDC instead of 4 No Relay

Environmental

Operating Temp.	: -15 to +55°C	- (Tested by ERTL)
Humidity	: Less than 95% Non-Condensing	- (Tested by ERTL)

EMI-EMC compatibility

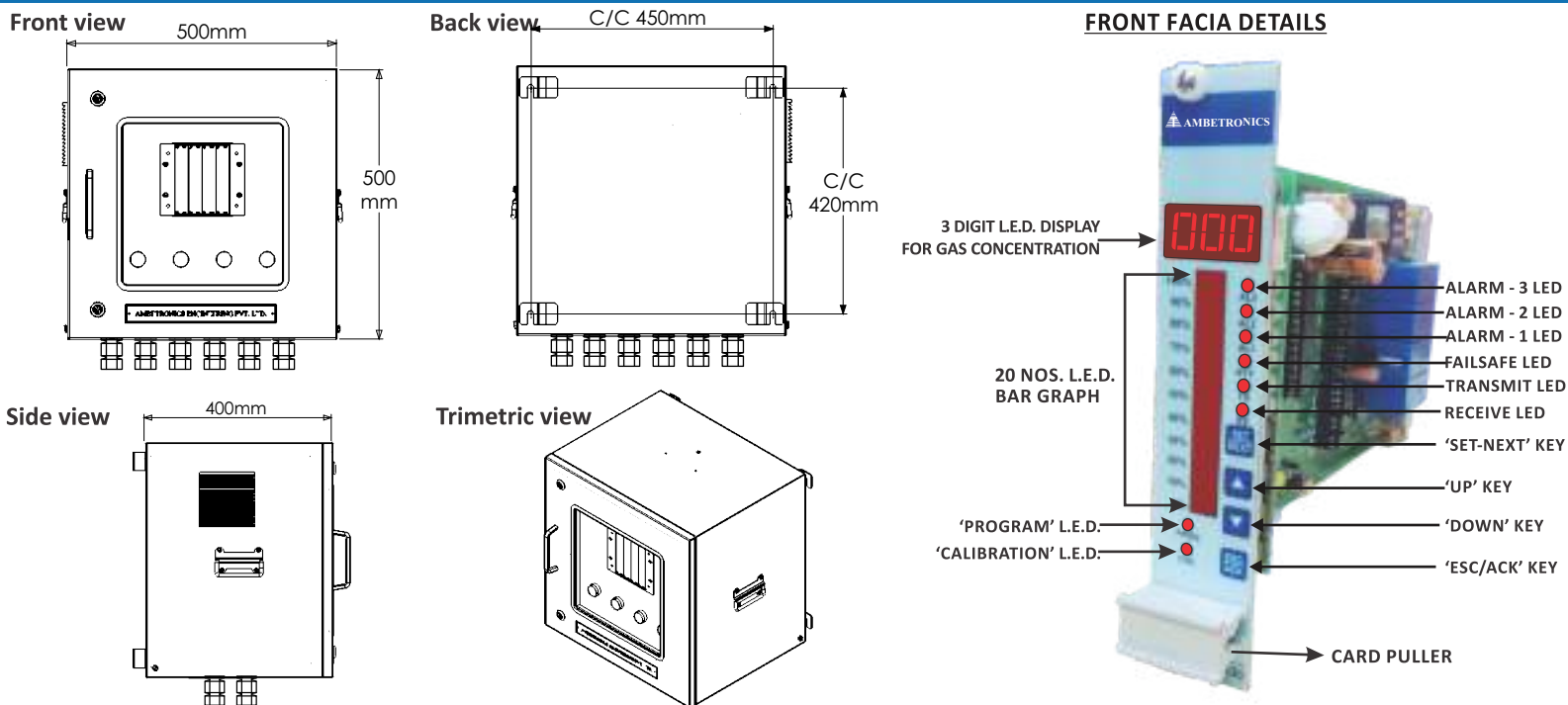
Accessories (Optional)

- CE certified 24 VDC Power supply.
- 2/3 Core Cables for Transmission
- Gas Calibration Kit (0.5,1, 3,10)Liter.
- Hooter cum Flasher
- Intelligent Modem
- Flame Proof or Non Flame Proof Industrial Hooter / Flasher
- RS-485 to USB OR RS-232 convertor
- PC Based SCADA / SMARTLOG Software
- Annunciator Panel 4 Channel / 8 Channel

Housing Details :

No. of Channels	: 4 Channel Rack
Dimension in mm (Approx)	: 157 mm (W) x 134 mm (H) x 200 mm (D)
Cutout size in mm (Approx)	: 113 mm (W) x 134mm (H)
Complete Panel Size in mm	: 500 mm (W) x 500 mm (H) x 400 mm (D)
Rack Weight (Approx)	: 2.5Kg.
Panel Weight (Approx)	: 26 Kg.
Mounting	: Wall Mounting
Cabinet Material	: M.S. housing with powder coating of EPOXY or PP Grade
Terminal	: connectors with 1.5 Sq. mm. Wire connection facility for each channel inside the panel

LAYOUT DESCRIPTION



Manufactured by :

AMBETRONICS ENGINEERS PVT. LTD.

17-B, Tarun Industrial Estate, Mogra Pada, New Nagardas Road, Andheri (E.) Mumbai - 400 069, India.

Mob.: +91-9320619646 • +91-9320621646 • Tel.: +91-22-61673000/27 /31/32

E-mail : project@ambetronics.com • gas@ambetronics.com • Web : www.ambetronics.com



Follow us on



Version RK-220 -4CH.-R2-13-04-2022