

FEATURES

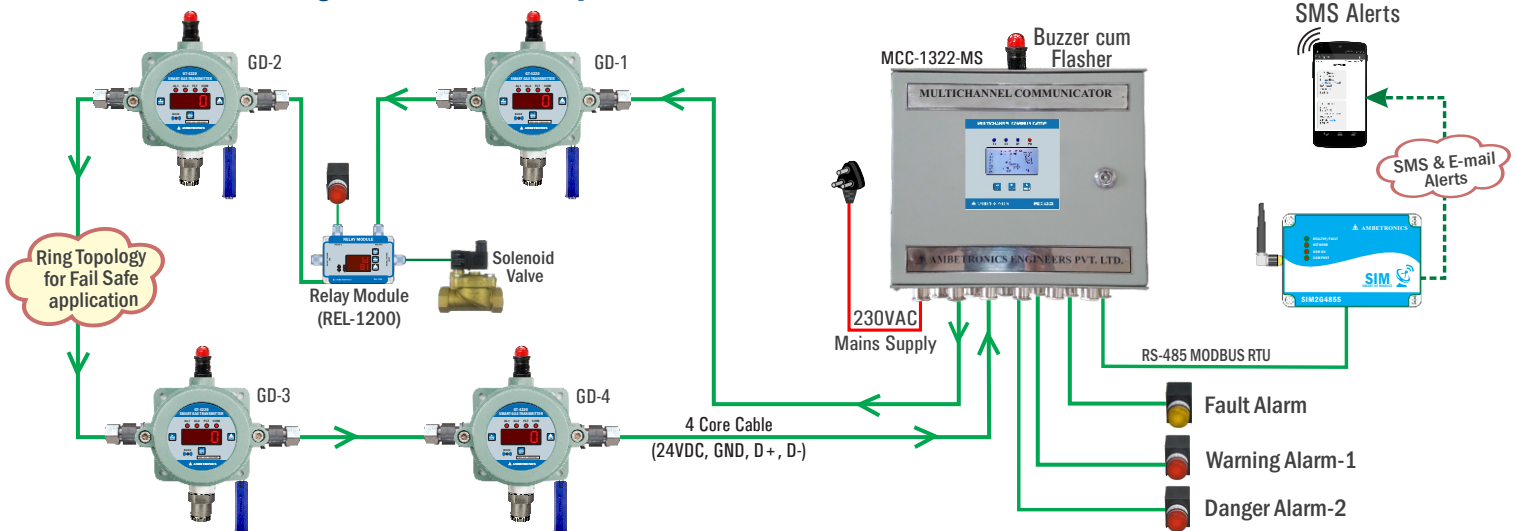
- Selectable Slave address.
- Micro controller based programming
- Password protector programming
- Isolated RS-485 Communication Port
- 2 Nos Relays output
- Easy programming with 3 keys inside relay box

TECHNICAL SPECIFICATIONS

Input	
RS-485 Slave	: MODBUS-RTU Protocol
Indication / Alarm / Control	
Display	: 4 digit 7 segment display inside the box for configuration only
Communication	
Programmable Settings	: Baud rate (9600), Parity (O/E/N) Data bits (7/8) Stop bits (1/2)
No of Slave ID	: Select 80 to 100
Programmable Parameters	
Setting	: 3 Nos. push button keys (with password protection)
Relay Logic	: Normally On, Pulse On, Normally Off, Pulsating On & Off

Optional	
Relay	: 2 No. SPDT Relay for Rating "2A/120VAC, 2A/24VDC" for each channel
Environmental	
Operating Temperature	: 0 to 50°C
Humidity	: Below 90% Rh, Non condensing
Electrical	
Supply Voltage	: 24VDC
Wattage	: Less than 3 watt
Dimensions	
Box Material	: ABS Plastic
Protection Class	: IP-65
Cable Entry	: Single Compression Gland M 12 x1.5 Clamping range : 2-6.5 mm
Dimension	: 100 mm (H) x 160 mm (W) x 55 (D)
Mounting	: Wall Mounting
Weight	: Approx 525 Grams

LPG/PNG Gas Leakage Addressable System



Manufactured by :

AMBETRONICS ENGINEERS PVT. LTD.

17-B, Tarun Industrial Estate, Mogra Pada, New Nagardas Road, Andheri (E.) Mumbai - 400 069, India.
 Mob.: +91-9320619646 • +91-9167418106 • Tel.: +91-22-61673000/30, 28371143
 E-mail : project@ambetronics.com • sales6@ambetronics.com • Web : www.ambetronics.com

