

MULTICHANNEL COMMUNICATOR MCC-1322-FLP



FEATURES

- 80 channel Modbus ID monitoring system for Detectors/ Transmitters having RS-485 MODBUS RTU network connectivity.
- Ring topology possibility for redundancy.
- Connectivity to maximum 20 numbers Relay Module, Grouping of Detectors of different ID numbers possible & each Relay Module has 2 numbers relay.
- Multidrop RS-485 port eliminates separate cabling to each Detector, Multichannel communicator panel and Relay Module.
- Polling interval configurable (500mSec/ 1000mSec).
- 128x64 Graphical LCD display for easy readability.
- Common Alarm Setting for all 80 channels, time saving as no need to set alarms separately for each channel.
- 'Detector Open/Communication Break', Error detection & message display.
- Integrated Buzzer/3 numbers DPDT Relay for Alarm set points, AL1, AL2 & fault Relay for fail safe operation.
- Password protected menu with password changing facility.
- Easy handling & programming with 3 keys on front panel.

APPLICATIONS

- Clean Room Monitoring & Validation in Pharmaceutical, Laboratories, Bioscience.
- Room Mapping in Pharmaceutical.
- Pharmaceutical process validation with graph & scale report in Autoclave.
- Healthcare, Hospitals, Shopping Malls.
- Breweries, Steel Plants, Gas Turbines.
- Leak detection, Solvent Vapours.
- Personal Monitoring, Compressor Stations.
- Emergency response, Equipment Maintenance.
- Pulp & Paper Industry, Fuel Loading Facilities.
- Waste Water Treatment Plants, level sensing & control.
- Refineries & Petrochemical Plants Including Offshore.
- Drilling & Plant Shut-downs.
- ISO Certification Records, Validation process certifying.
- Chemical & Hazardous area where data monitoring is essential.
- Cold Storage & Chilling Plant.
- Building Management & Energy Saving Systems.
- Meteorological, Weather Forecast Applications.
- Remote Indication location on tank taps as used in liquid level sensing & control.

TECHNICAL SPECIFICATIONS

GENERAL

Input	: 80 detectors having RS-485 Modbus RTU port (Slave Id=1 to 80) and 20 numbers Relay module – REL-1200 (ID81 to 100). Set slave Id in sequence.
Display	: 128x64 Graphical Display with Backlight.
Status indication	: 4 numbers LEDs (AL1,AL2,FAULT,COMMUNICATION) to indicate the status of Alarm generation, Connected detector & Relay Module.
Control action	: Two independent Alarm set points common for all channels with Latch and Non-Latch facility. User selectable Hysteresis and Logic settings
Audible Indication	: Integrated buzzer for Alarm Set point violation.
Range & resolution	: 1, 0.1,0.01 common for all connected Detectors.

COMMUNICATION SETTING

Protocol	: MODBUS RTU.
Baud Rate	: (9600/19200/38400/57600)bps, User Selectable.
Parity	: Odd/Even/None, User Selectable.
Stop bits	: One/two, User Selectable.
Polling Interval	: 500ms/1000ms,User Selectable

ERROR MONITORING

'Detector Open/Communication Break' errors indication & fault Relay activates for fail safe operation.

RELAY

3 Numbers DPDT Relay with potenal free (2 NO-C-NC) contacts of rang, 2A/230VAC, 2A/24VDC, Common for all configured Detector.

PROGRAMMABLE PARAMETERS

Set point	: 2 Nos, Alarm 1(AL1) & Alarm 2(AL2), user programmable.
Logic	: High/very High, very low/Low, Low/High User programmable.
Hysteresis/Time	
Delay/Snooze	: User Programmable.
Relay Assignment	: Relay 1 for Alarm 1, Relay 2 for Alarm 2 & Relay 3 for fault (fail safe operation).
Latch	: 'Latch' Relays for Alarm 1 & Alarm 2 programmable as 'Enable/Disable'.
Setting	: 3 No, push button front keys (All programmable menus are password protected).

ELECTRICAL

Supply Voltage	: 90VAC to 270VAC, 50Hz.
Power rating	: Less than 80W @240VAC
Supply for detector & Relay Module	: 24VDC, 4.5A.
Cable cross section	: 2.5mm ² .
Cable required	: 2.5mm ² , 4 core Shielded Armoured/ Twisted flexible cable for (24V+, 24V-, D+, D-) signals.

ENVIRONMENTAL

Operating Temp.	: 0 to 50°C.
Relative Humidity	: Below 95%,RH, Non condensing.

ACCESSORIES

- FLP / WP Junction box enclosure for inter connection between Detector & Relay Module with Multichannel communicator.
- Relay module (REL-1200) for additional 2 common Relay among configured Group of Detector.
- 24VDC/240VAC Operated Hooter cum flasher.
- RS-485 to RS-232 / USB /Ethernet / Wi-Fi Converter.

MOUNTING DETAILS

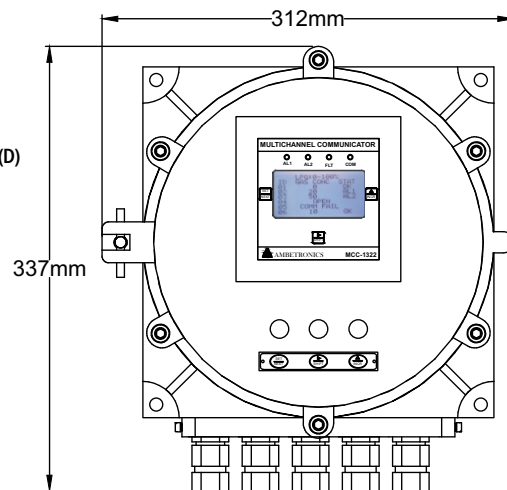
DIMENSIONAL DETAILS

Degree of Protection Class	: IP-66
• CIMFR CERTIFICATE NO.	: CIMFR/TC/P/1923 Dt. : 26/08/2019
• PESO CERTIFICATE NO.	: P468728/1 Dt. : 21/02/2020
Housing Material	: cast Aluminum LM6 Alloy or cast Iron (C.I.) Enclosure
Cable Entry	: Flameproof, Weatherproof IP66 Double compression cable gland (Ex d) Model No. : CG/FLP/2C M20 x 1.5 (P) & M25 x 1.5 (P), ½" NPT & ¾" NPT
• CIMFR CERTIFICATE NO.	: TC/P/1313 Dt. : 19/09/2018
• PESO CERTIFICATE NO.	: P431645/2 Dt. : 19/11/2019
Dimension	: 37 mm (H) x 312 mm (W) x 170 mm (D)
Mounting	: Wall Mounting / Stand Mounting
Weight	: Approx 6Kg

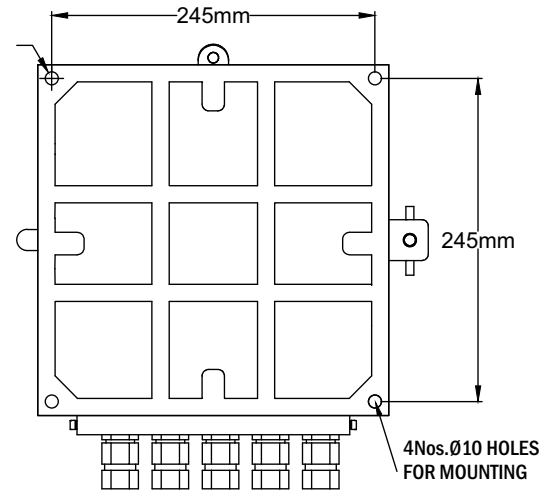
NOTE :

- 1) ALL DIMENSION ARE IN mm.
- 2) TOLERANCE ± 2.
- 3) SIZE : 312mm(W) X 337mm(H) X 173mm(D)

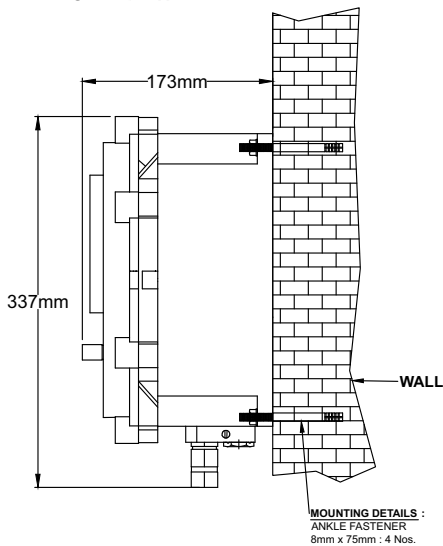
FRONT VIEW



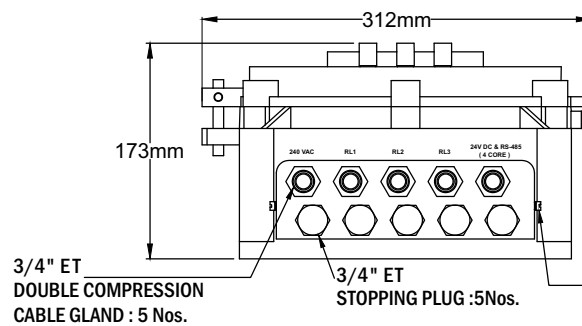
BACK VIEW



SIDE VIEW



BOTTOM VIEW



EARTHING DETAILS
CHEESE HEAD SCREW
M6 x 10 - 2Nos.
S. S. PLAIN WASHER
ID-6 , OD-12 - 4 Nos.
SPRING WASHER - 2Nos.

Manufactured by :

AMBETRONICS ENGINEERS PVT. LTD.

17-B, Tarun Industrial Estate, Mogra Pada, New Nagardas Road, Andheri (E.) Mumbai - 400 069, India.

Mob.: +91-9320619646 • +91-9167418106 • Tel.: +91-22-61673000/67, 28371143

E-mail : project@ambetronics.com • manan@ambetronics.com • Web : www.ambetronics.com



Follow us on



www.ambetronics.com

Version : MCC-1322-FLP-R2 - 27122020