

LOOP POWER INDICATOR

LPI-600-PM



PANEL MOUNT

LPI-600-WP

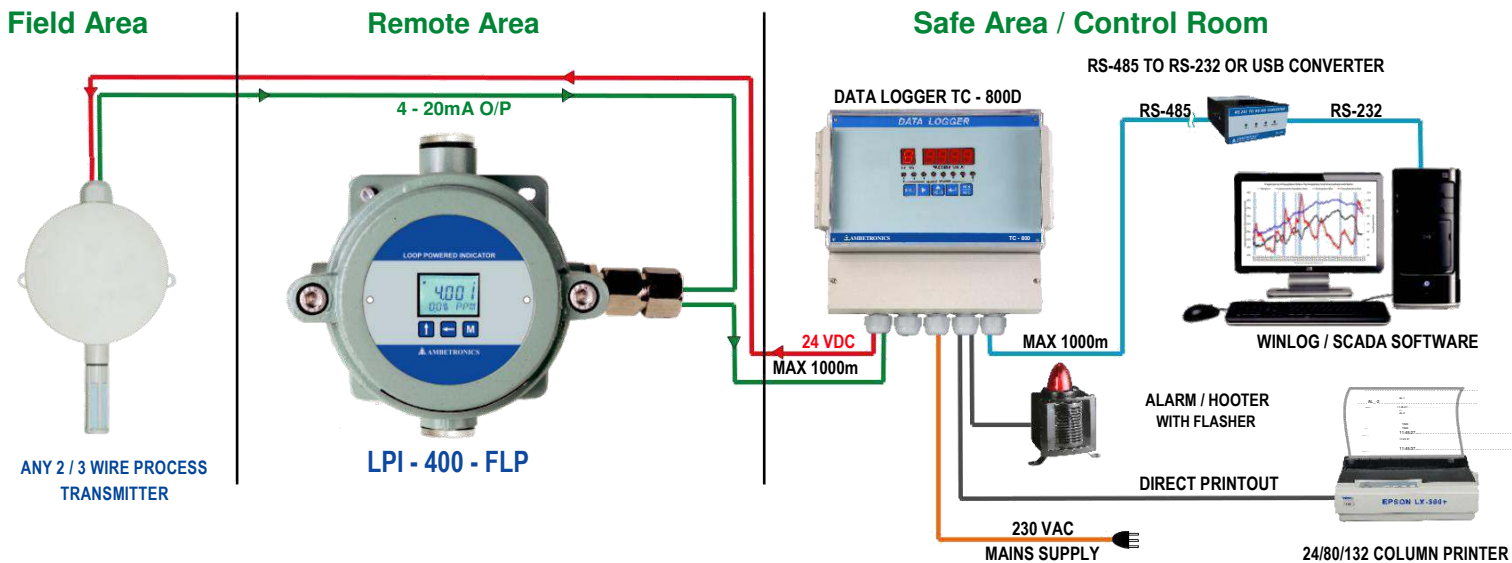


WEATHERPROOF

LPI-600-FLP



FLAMEPROOF



Features

- ◆ Easy Programming with Push Buttons for WP & PM Model
- ◆ Compact design
- ◆ Reverse Polarity Protection
- ◆ Loop Voltage Drop < 3.8 VDC @ 24VDC Supply
- ◆ Accuracy $\pm 0.1\%$ of Full Scale Range
- ◆ No external Power Supply is required

Applications

- ◆ Provides Process Value Indicator in various Industrial Control & Measurement Application such as Pressure, Flow, Level, Temperature, Humidity etc.
- ◆ Remote Indicator at point of measurement or at control end especially where there is no power source
- ◆ Being Non Voltage Producing Device can be directly used in Hazardous Area with Suitable Enclosure
- ◆ Replaces an Analog Meter with no additional wiring and power connection
- ◆ Can be inserted at any point in signal loop as a stand-alone as it requires no external power
- ◆ Remote Indication location on tank taps as used in liquid level sensing & control

General :

Range : -9999 to 99999, 0.0001, 0.001, 0.01, 0.1
 Accuracy : 0.1% 1 digit
 Digital damping : 0 to 100s (step 0.1 s)
 Units : mA, mV, V, bar, mbar, Pa, Kpa, Mpa, mH2O, cmH2O, mmH2O, mmHg, PSI, TOR, kg, g, N, KN, °C, °F, K, RH, VOL, PPM, LEL, PH, m, cm, mm, INCH, m/s, ohm, kohm, %

Supply:

Supply : Not required
 Voltage drop : ≤ 3.8V@ 24VDC supply

Electrical protection

Short-circuit protection : Permanent
 Reverse polarity protection: Max. current: approx.200mA

Ambient temperature

Operating : -30°C to 70°C
 Storage : -40°C to 70°C

Panel Mount Housing :

Protection Class : IP-40
 Cabinet Material : ABS Plastic, Black colour
 Cable Entry : Terminal Connector for Connection
 Dimension : 96 (H) x 96 (W) x 85 (D) -in mm
 Mounting : Panel Mounting
 Weight : Approx 250 Grams

Weatherproof Housing :

Protection Class : IP- 65
 Cabinet Material : Polycarbonate, Grey colour
 Cable Entry : 1No., Thermoplastic Cable Gland (IP-68)
 Dimension : 120 (H) x 100 (W) x 60 (D) -in mm
 Mounting : Wall Mounting / Stand Mounting
 Weight : Approx 250 Grams

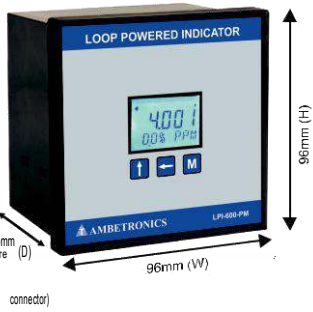
Flameproof Housing :

Protection Class : IP- 65
 Approval : CMRI approved for IIA & IIB Gas Group
 Cabinet Material : Cast Aluminum alloy, LM-6 / C.I. Enclosure
 Cable Entry : 1No., Double compression cable gland (EX-proof), 3/4" ET-Type
 Dimension : 160 (H) x 200 (W) x 100 (D) -in mm
 Mounting : Wall Mounting / Stand Mounting
 Weight : Approx 1 Kg

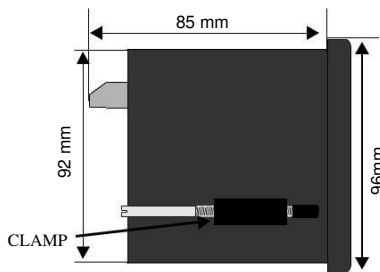
60mm



**Panel Mount (PM)
Front View**



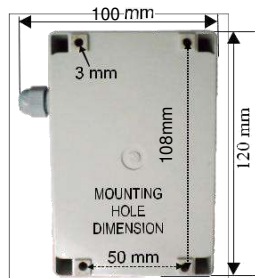
Side View



**Weatherproof (WP)
Front View**

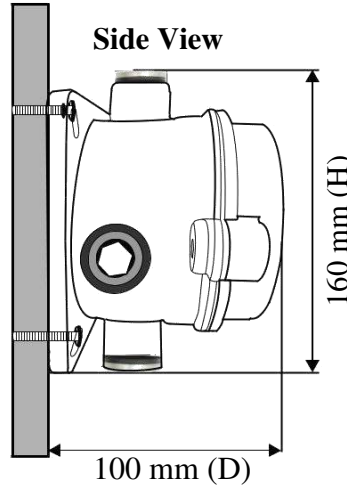


Back View

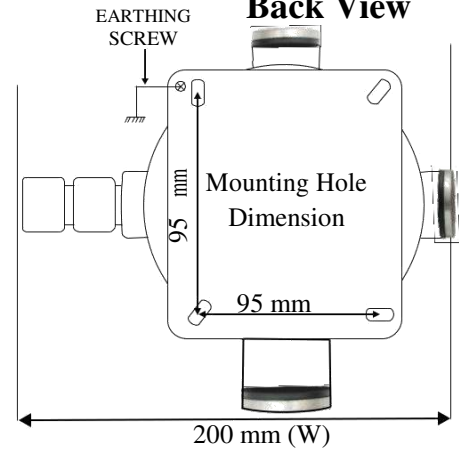


Flameproof (FLP)

Side View



Back View



Manufactured by :



AMBETRONICS ENGINEERS PVT. LTD.

17-B, Tarun Industrial Estate, Mogra Pada, New Nagardas Road, Andheri (E.) Mumbai - 69, India. Mob.: 9320619646 • 9320621646 • Tel.: +91-22-61673000, 28371143 • Fax: +91-22-28226570 E-mail: project@ambetronics.com • gas@ambetronics.com • Web: www.ambetronics.com

LPI-600-FWP-R1-06-12-2018

