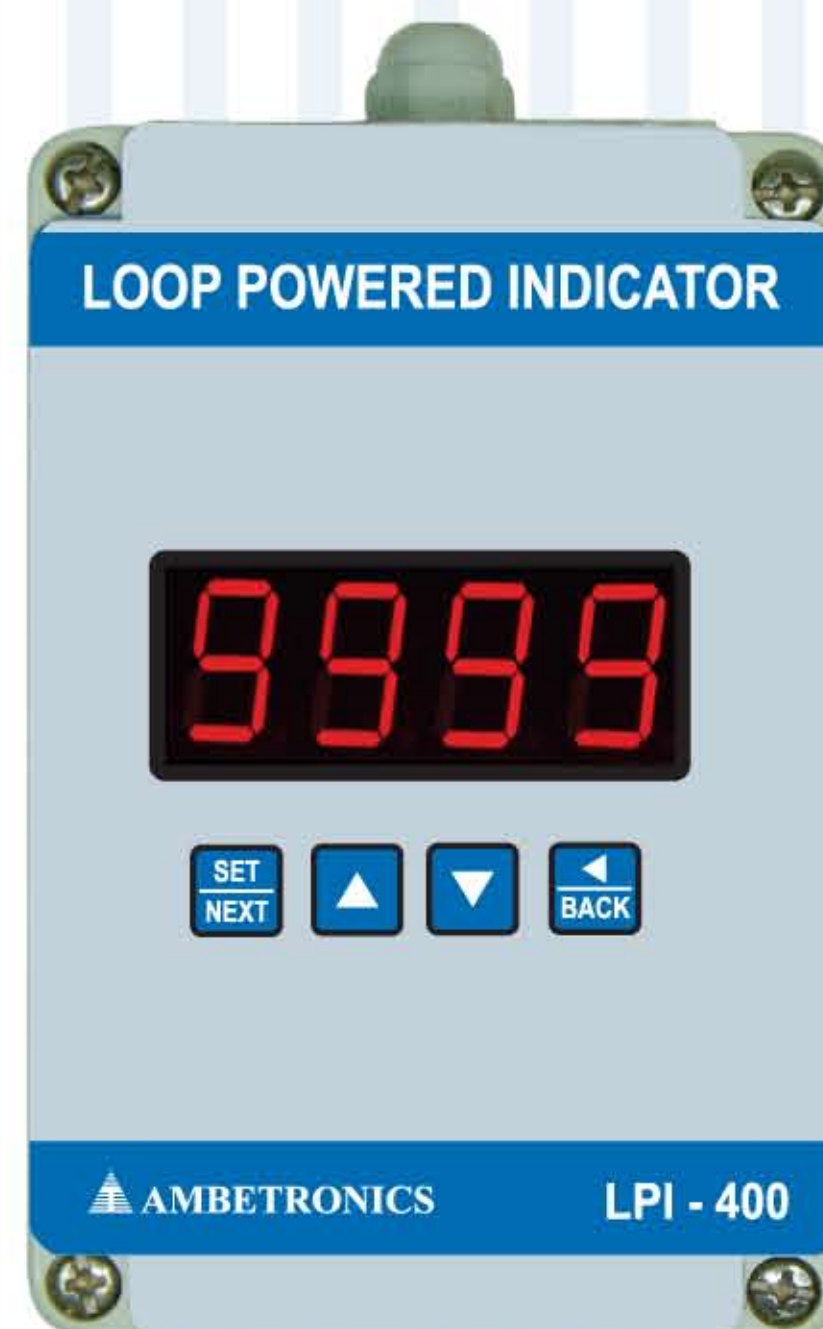


## LOOP POWERED INDICATOR - L.E.D



**LPI - 400  
PANEL MOUNTING**

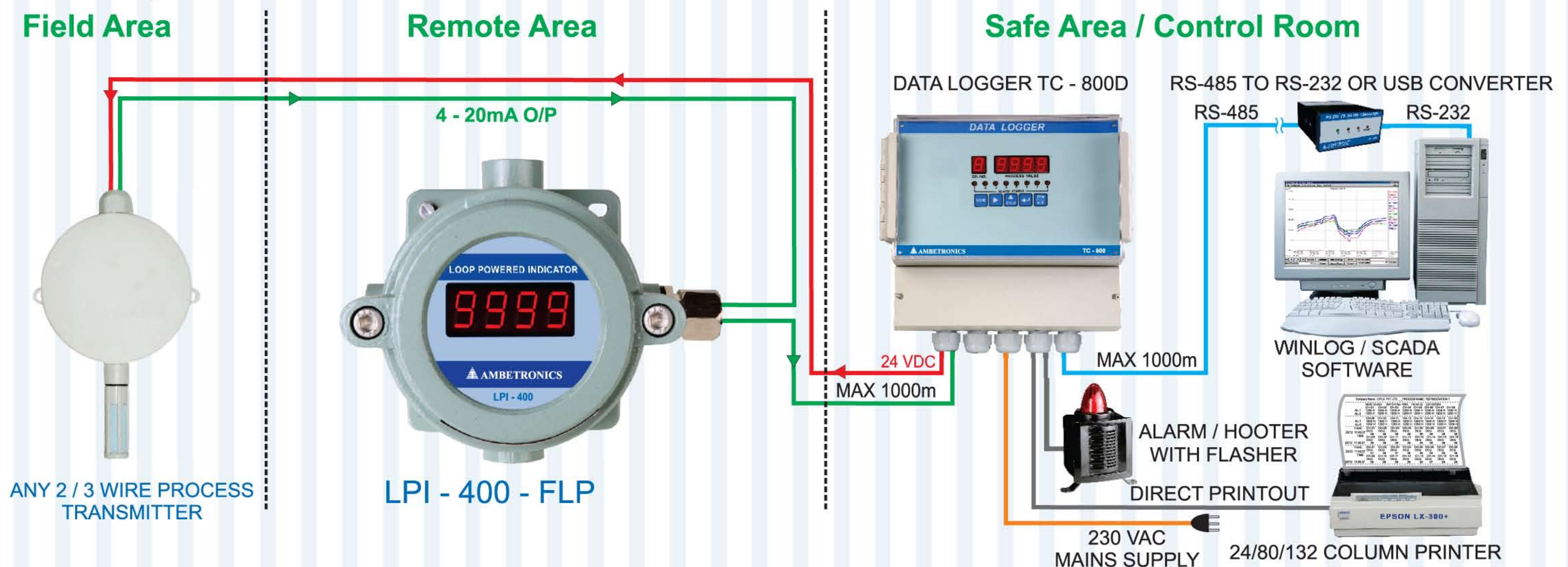


**LPI - 400 - WP  
WEATHERPROOF**



**LPI - 400 - FLP  
FLAMEPROOF**

### ILLUSTRATION



### FEATURES

- ◆ User Programmable With Password Protection
- ◆ Easy Programming With Push Buttons
- ◆ Software Calibration – No Trimpots
- ◆ Reverse Polarity Protection
- ◆ Loop Voltage Drop < 5 VDC
- ◆ 4 - 20 mA Loop Current Input from Transmitters
- ◆ Accuracy  $\pm 0.1\%$  Of Full Scale Value
- ◆ 4 Digit L.E.D Display
- ◆ Range Locking / Unlocking Facility
- ◆ Offset Facility To Compensate Field Error
- ◆ Operational Mode Linear / Square Root; Programmable by user

### APPLICATIONS

- ◆ Provides Process value Indicator in various Industrial Control & Measurement Application such as Pressure, Flow, Level, Temp., Humidity etc.
- ◆ Remote Indicator at point of measurement or at control end especially where there is no power source
- ◆ Being Non Voltage Producing Device can be directly used in Hazardous Area with Suitable Enclosure
- ◆ Replaces an Analog Meter with no additional wiring and power connection
- ◆ Can be inserted at any point in signal loop as a stand alone as it requires no external power
- ◆ Remote Indication location on tank taps as used in liquid level sensing & control

**MUST FOR YOUR PROCESS**

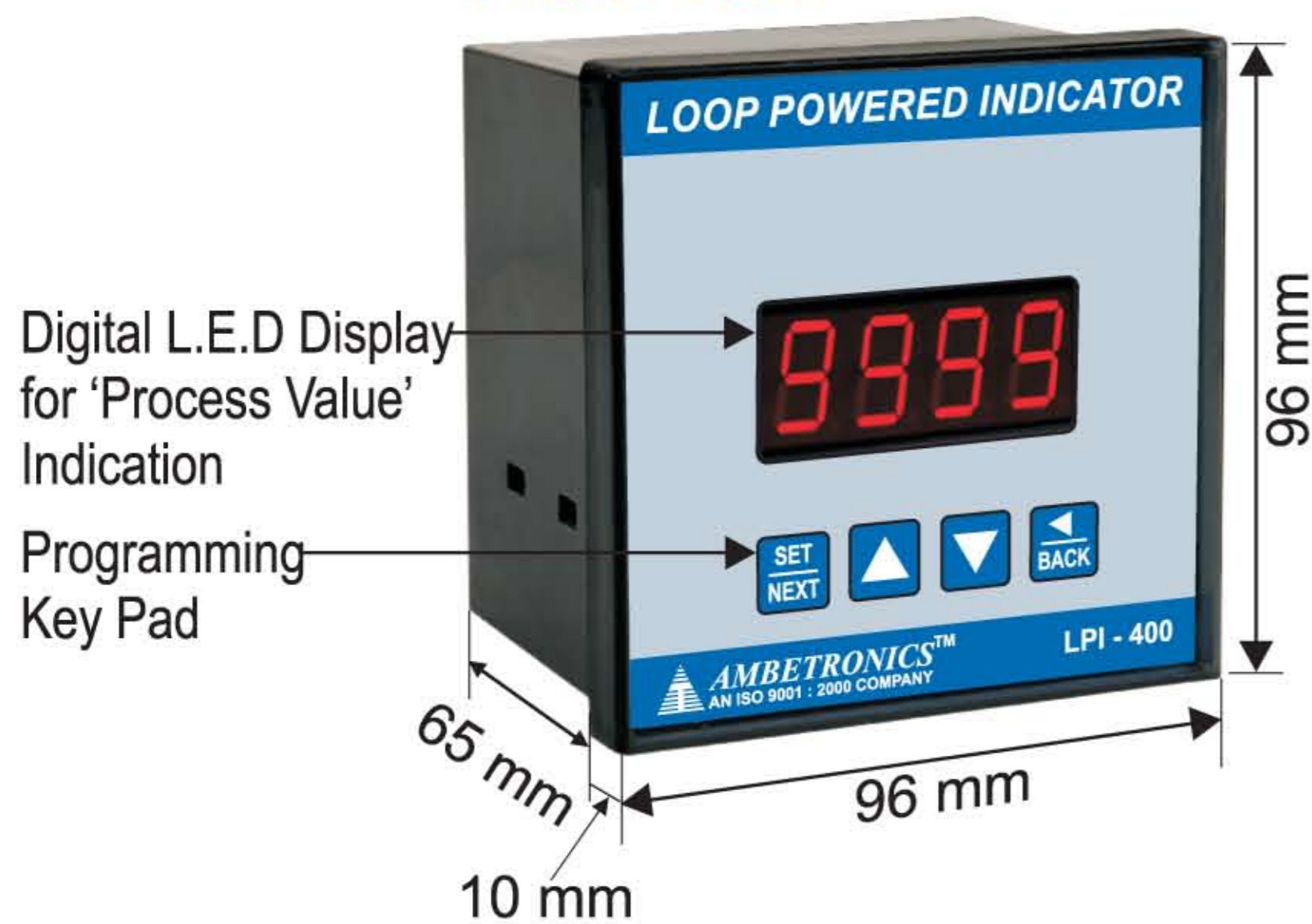
# TECHNICAL SPECIFICATIONS

<b>Input</b>	4-20 mA Loop Current Input from any 2 / 3 Wire Process Transmitter		
<b>Range</b>	- 999 To 9999 with Range Lock / Unlock; programmable by user		
<b>Resolution</b>	0.001, 0.01, 0.1, 1; programmable by user		
<b>Accuracy</b>	Linear : $\pm 0.1\%$ of span; Square root : $\pm 0.2\%$ of span		
<b>Operational Mode</b>	Linear & square root; programmable by user		
<b>Loop Voltage Drop</b>	< 5 VDC		
<b>Display</b>	0.4", 4 Digit Red L.E.D Display		
<b>Display Update Rate</b>	Linear mode : 0.8 sec; Square root mode : 0.8 sec		
<b>Monitor</b>	i) Display shows 'Lrd', when I/P current falls below 3.6 mA ii) Display shows 'dur', when I/P current goes above 20.5 mA		
<b>Operating Temperature</b>	- 40 To 85 °C		
<b>Relative Humidity</b>	Below 95% non condensing		
<b>Warm up Time</b>	10 Sec		
<b>Enclosure Detail</b>	<b>PANEL MOUNTING (PM)</b>	<b>WEATHERPROOF (WP)</b>	<b>FLAMEPROOF (FLP)</b>
<b>Protection Class</b>	IP - 40	IP - 65	IP-65, CMRI Approved for IIA, IIB Gas Group
<b>Cabinet Material</b>	ABS PLASTIC, Black / White Colour	Polycarbonate Grey Colour	Cast Alluminium Alloy, LM - 6 / C. I. Enclosure
<b>Cable Entry</b>	Terminal Connector For Connection	1 No. Thermoplastic Cable Gland (IP - 68)	1 No. Double Compression Cable Gland (Ex-Proof), 3/4" ET - type
<b>Dimension</b>	96 (H) X 96 (W) X 75 (D) in mm	120 (H) X 80 (W) X 55 (D) in mm	145 (H) X 185 (W) X 100 (D) in mm
<b>Cutout</b>	92 (H) X 92 (W) in mm	-----	-----
<b>Mounting</b>	Panel Mounting	Wall Mounting / Stand Mounting	Wall Mounting / Stand Mounting
<b>Weight</b>	Approx. 250 Grams	Approx. 250 Grams	Approx. 1 Kg

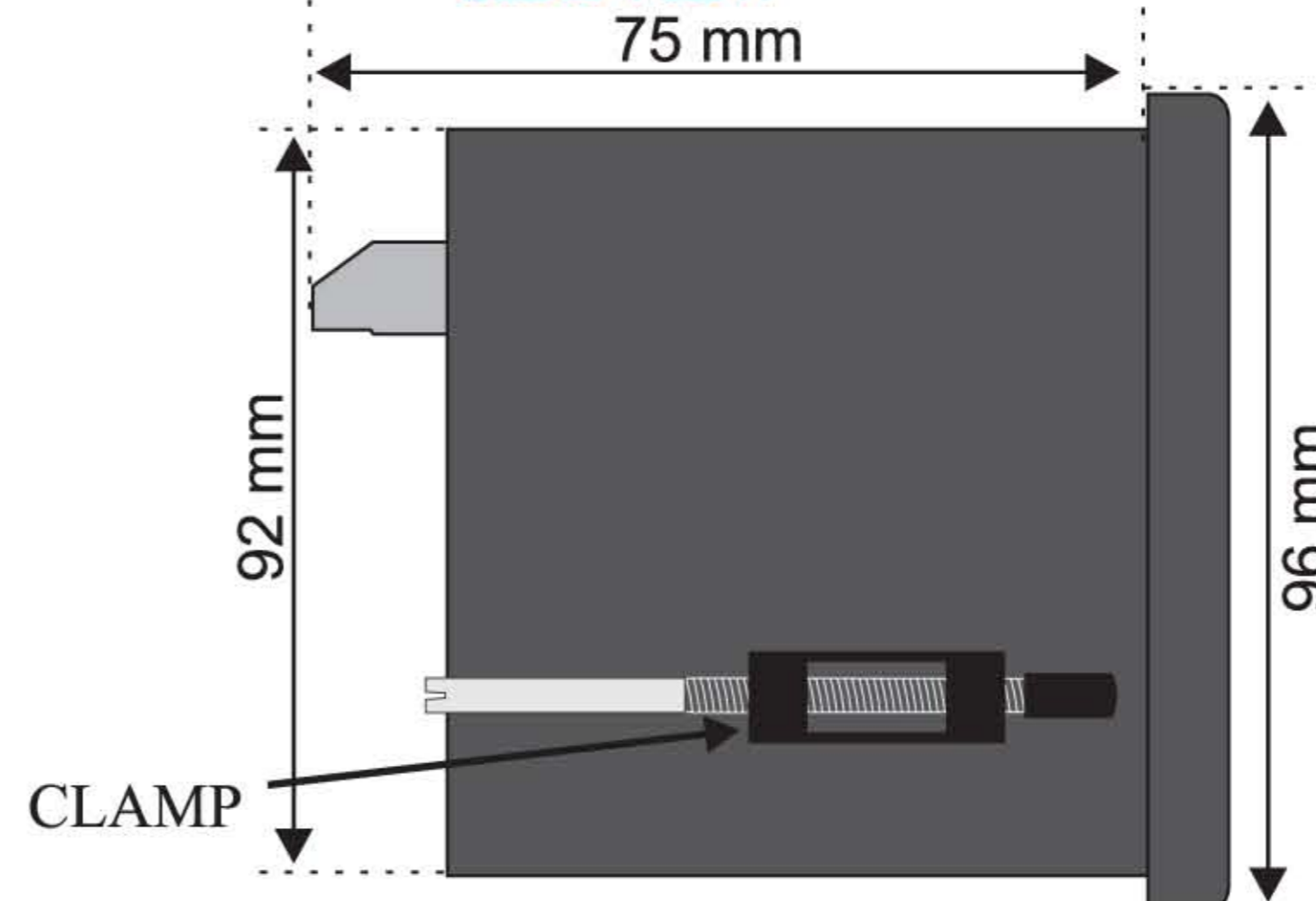
## DIMENSIONS

### PANEL MOUNTING ENCLOSURE

#### FRONT VIEW

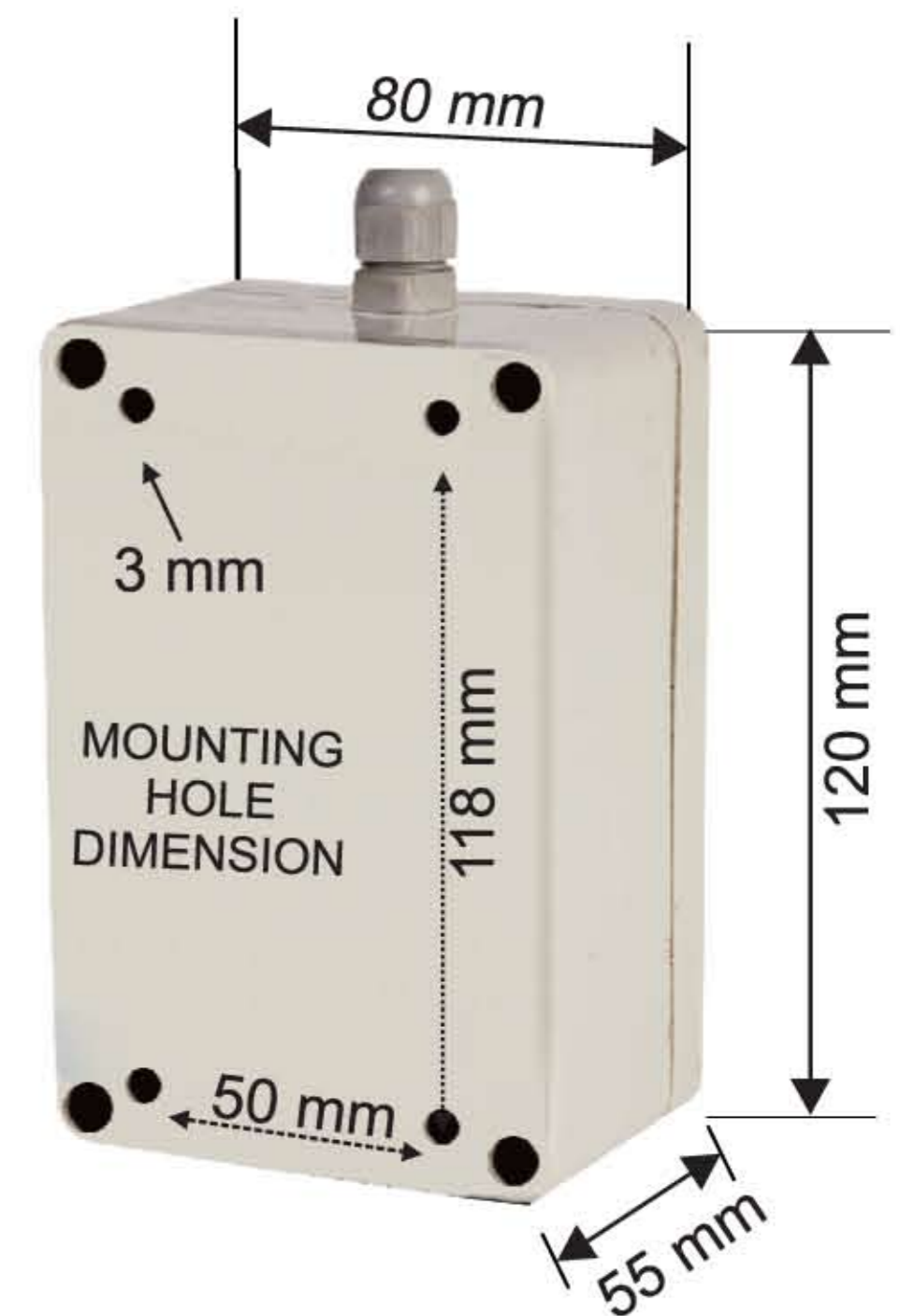


#### SIDE VIEW

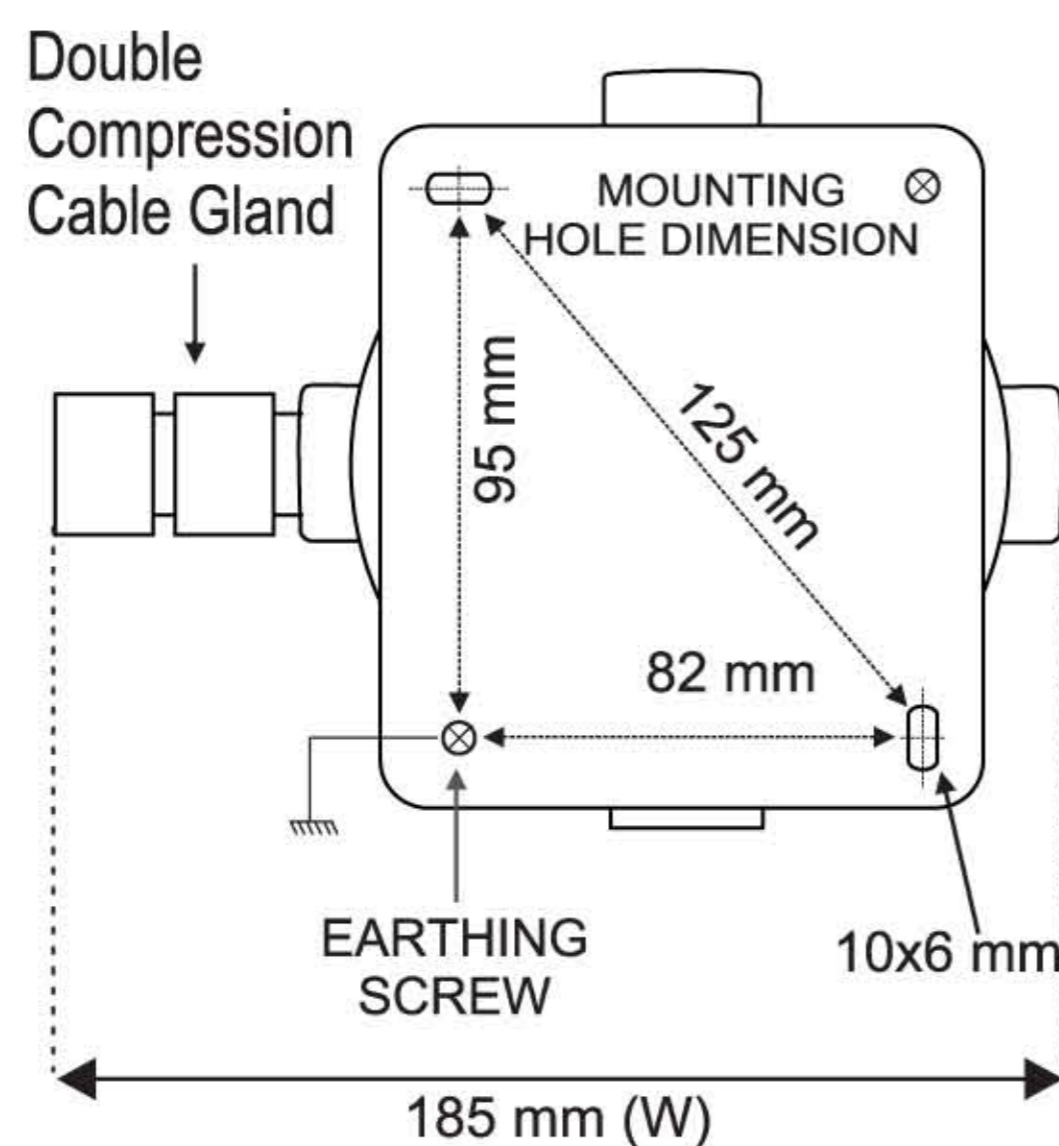


### WEATHERPROOF ENCLOSURE

#### SIDE & BACK VIEW

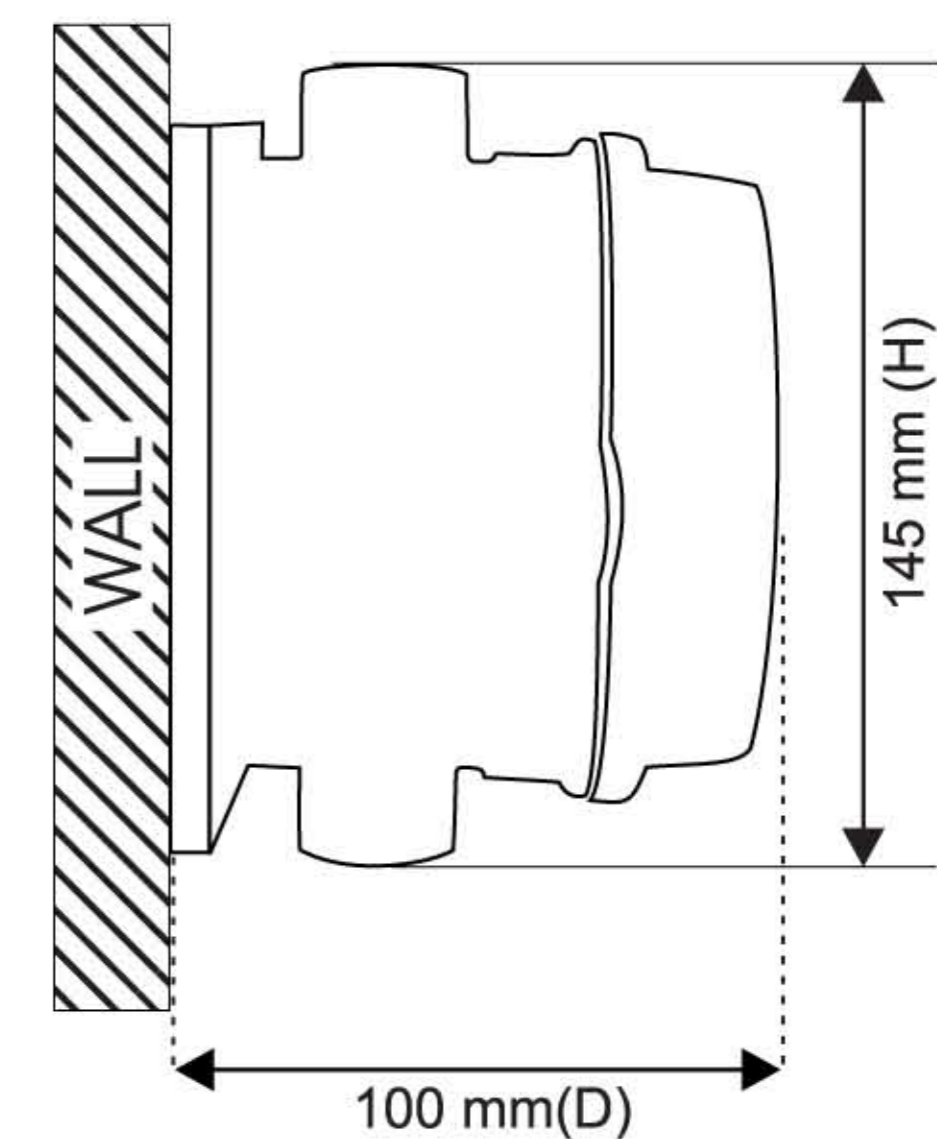


#### BACK VIEW



### FLAMEPROOF ENCLOSURE

#### SIDE VIEW



Manufactured by :



**AMBETRONICS ENGINEERS PVT. LTD.**

17-B, Tarun Industrial Estate, Mogra Pada, New Nagardas Road, Andheri (E.) Mumbai - 69, India.  
Mob.: 09324154646 • 09324571143 • Tel.: +91-22-66995525, 28371143 • Fax : +91-22-28226570  
E-mail : sales5@ambtronics.com • sales1@ambtronics.com • Web : www.ambtronics.com



Dealers: