

GT-4000-FLP

Smart Gas Detector (Oxygen/Toxic/Combustible Gases)



AMBETRONICS
AN ISO 9001:2015 CERTIFIED COMPANY



Features

- Microcontroller Based Latest, Accurate, Reliable & High Performance Technology.
- Non-Intrusive programming for Flameproof Model using Magnetic Wand.
- Dual display of one for gas concentration & second for Unit of the gas.
- Programmable Linear 4-20mA O/P with respect to gas concentration.
- Ready to use with Ambetronics controllers.
- Easy one man calibration at site.
- Field proven smart sensor .
- Password protected programming with password changing facility.
- Suitable in hazardous area CCOE, CMRI & Ip66 & IP68 approved.

Applications

- Oil & Gas Industries
- Chemical & Petrochemical Plants
- Chemical Processing Plant
- Pulp & Paper Plants
- Acid Alkalizes & Dyes Mfg. Plants
- Offshore Drilling & Processing Platforms
- Refineries
- Stack Monitoring
- Chemical Storage Area
- Ambient Monitoring
- Sewage Plants
- Fertilizers Plants
- Power & Industrial Plants
- Gas Metering Station
- Bullet Yard / Storage Yard
- Coal Mine and Confined Area
- Gas Pipeline Project
- Gas Cylinder Bank
- Heat Treatment Plants
- Automotive Industries / Paint Shops
- Burner / Furnace Areas

TECHNICAL SPECIFICATIONS

General :

- Detection Method : Electrochemical / Catalytic Pellister
Gases Detected : Oxygen / Toxic / Combustible (Please select Gas & Range)
Display : Upper Display : -4 Digit of 0.4"(H) Red LED display for 'Gas Concentration' indication
Lower Display : -4 Digit of 0.4"(H) Red LED display for Unit of Gas
LED : HTY for Healthy condition, PRG for programming mode, CAL for calibration & TST for Test mode.
Setting : Setting by 3 keys on front panel i.e. 'SET/NEXT', '▶', '▲'
By using Magnetic Wand (Only for Flameproof Model)

Performance :

- Accuracy : $\pm 2\%$ of Full Scale at 20°C Temperature
Response Time : T20 < 18 Seconds
T50 < 22 Seconds
T40 < 40 Seconds
Start-up Time : Less than 30 Seconds.

Output Signal :

- Standard : Programmable Linear 4-20mA analog output with respect to Gas concentration range

Electrical :

- Supply Voltage : 18 to 36VDC, Typically 24VDC
Power Consumption : Less than 3.6 Watts.
Cable : For Flameproof Model : 3 Core wire, Shielded Armored Cable.

Error Monitoring :

- i) By display : Sensor break/ open shows 'oPEr', under range shows 'Undr' & over range shows 'oUER'
ii) By Standard O/P current : Up scale current : 21mA,
Down scale current : 3.7mA, selectable

Environmental :

- Operating Temperature : 0 to +50°C
Storage Temperature : -10 to +60°C
Humidity : Less than 95% Non-Condensing.

MUST FOR HUMAN & INDUSTRIAL SAFETY

CATALYTIC / PELLISTOR SENSOR TECHNOLOGY

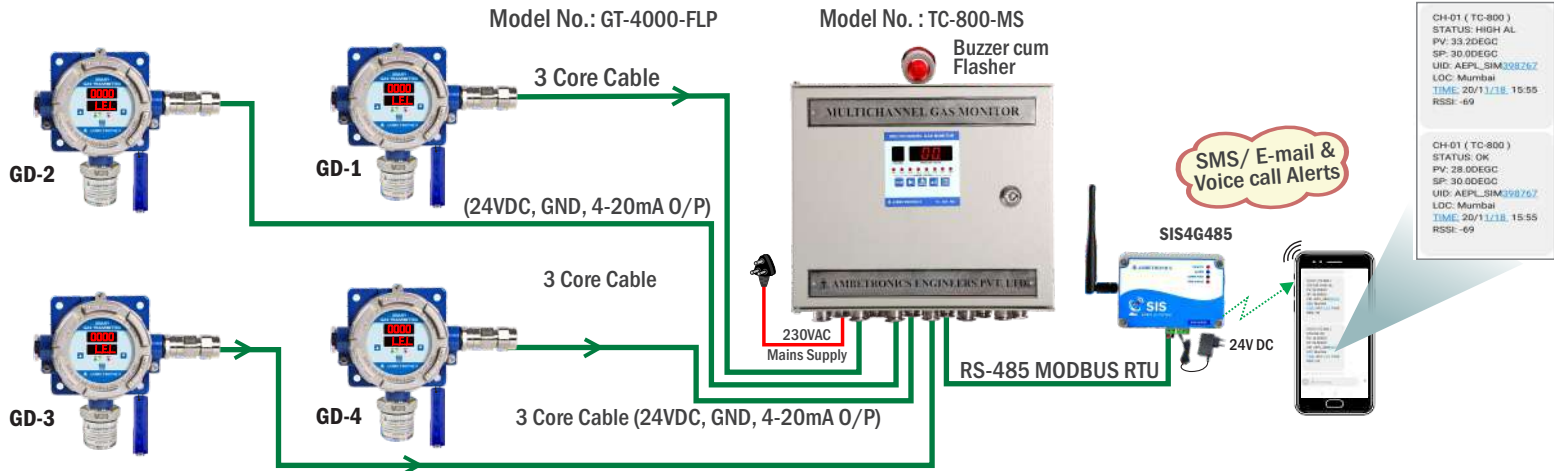
SR. NO.	GASES	RANGE	UNIT	RES.	AL1	AL 2
C1	LPG (C3H8)	100	% LEL	1	20% LEL	40% LEL
C2	PNG	100	% LEL	1	20% LEL	40% LEL
C3	CNG	100	% LEL	1	20% LEL	40% LEL
C4	LNG	100	% LEL	1	20% LEL	40% LEL
C5	NATURAL GAS	100	% LEL	1	20% LEL	40% LEL
C6	METHANE (CH4)	100	% LEL	1	20% LEL	40% LEL
C7	FLAMMABLE GAS	100	% LEL	1	20% LEL	40% LEL

SEMICONDUCTOR SENSOR TECHNOLOGY

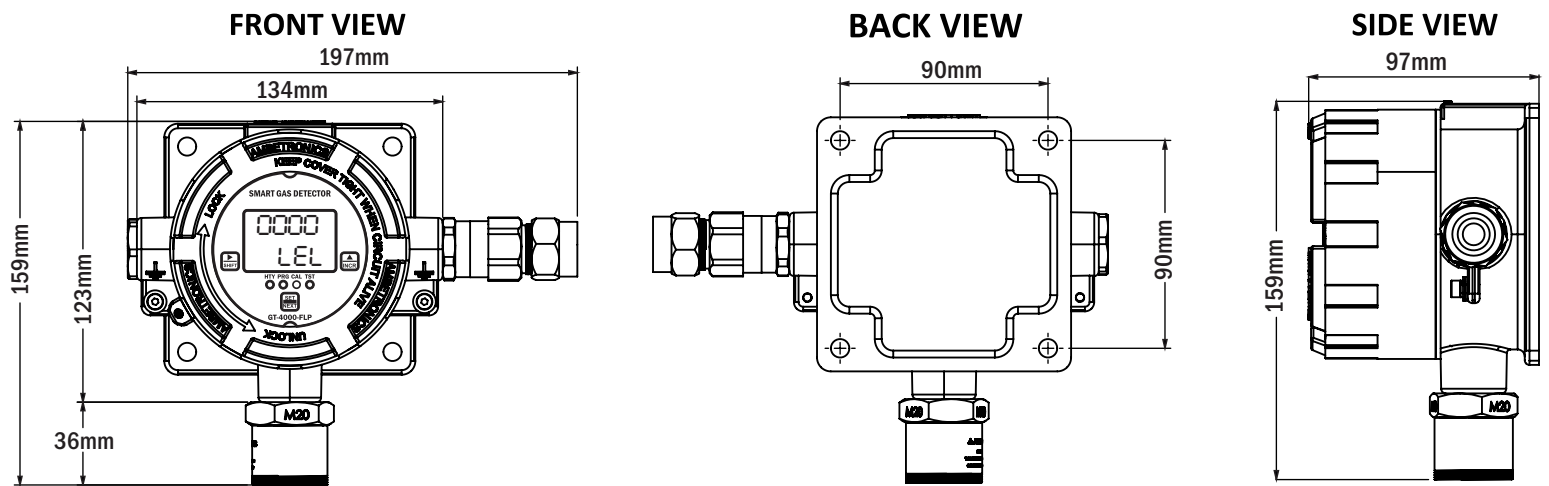
SR. NO.	GASES	RANGE	UNIT	RES.	AL1	AL 2
S1	LPG (C3H8)	20	% LEL	1	10% LEL	15% LEL
S2	PNG	20	% LEL	1	10% LEL	15% LEL
S3	CNG	20	% LEL	1	10% LEL	15% LEL
S4	LNG	20	% LEL	1	10% LEL	15% LEL
S5	NATURAL GAS	20	% LEL	1	10% LEL	15% LEL
S6	METHANE (CH4)	20	% LEL	1	10% LEL	15% LEL
S7	FLAMMABLE GAS	20	% LEL	1	10% LEL	15% LEL

NOTE: • In above Table, Range of gases start from zero. • Gases which are not listed, are available on request & for other details contact factory.

LPG/PNG Gas Leakage System with SMS/E-mail/Voice call/cloud facility for commercial Kitchen



DIMENSION DETAILS (JB-90-FLP)



ORDERING INFORMATION

GT-4000-FLP

- A) OUTPUT**
1) 4-20mA
2) Relay
- B) GAS NUMBER, RANGE & RESOLUTION**
Select name and range of the
- C) POWER SUPPLY**
1) 24 V DC
2) 230 V AC
- D) ACCESSORIES**
1) Ambetronics - Hooter Cum Flasher 24VDC operated- ABS Plastic
2) Ambetronics - Hooter Cum Flasher 24VDC operated- SS-316
3) Pipe mounting accessories
4) None

* Before placing the order please refer the above ordering information or Contact below address for assistance.

Manufactured by :



AMBETRONICS ENGINEERS PVT. LTD.

17-B, 16, 14A, Tarun Industrial Estate, New Nagardas Road, Mogra Pada, Andheri (E.) Mumbai - 400 069, India.

+91-22-69623389 +91-93207 37646 sales8@ambetronics.com
+91-22-61673021/22 +91-91674 18106 sales11@ambetronics.com



Version : GT-4000-FLP-R2-27-07-2023

Specifications subject to change without any prior notice